



Product Specifications Manual

Value By Design

 **Saco Industries, Inc.**
Kitchen & Vanity Cabinetry

Table of Contents

Effective January 2008

Designation	Product	Page #
WALL CABINETS		
AEW	Angle End Wall Cabinet	17
DEW	Diagonal End Wall	17
DW	Diagonal Wall	10, 11
FD	Frame Door	13, 14
MD	Mullion Door	15, 16
MW	Microwave Cabinet	12
ORG	Organizers	18
PDW	Peninsula Diagonal Wall	9, 11
PR	Plate Rack	17
PW	Peninsula Wall	8
PWC	Peninsula Wall Corner	9
PWER	Peninsula Wall Easy Reach	9
W	Wall Cabinet-Standard	6, 7
WC	Wall Corner	7, 8
WER	Wall Easy Reach	18
WR	Wine Rack	17
W1D	Wall Single Drawer	17
W3D	Wall 3 Drawer	17
WX24	24" Deep Refrigerator	7

UTILITY CABINETS		
OC	Oven Cabinet	21
UB	Utility Base Cabinet	20
UF	Utility Fronts	22
UW	Utility Wall Cabinet	20

BASE CABINETS		
AEB	Angle End Base	24
B	Base Cabinet-Standard	23
BC	Blind Corner Base	24
BER	Base Easy Reach	24
BFH	Base Full Height	23
BROS	Base w/Roll-Out Shelf	23
CSF	Corner Sink Front	25
D-3	Base 3-Drawer	23
D-4	Base 4-Drawer	23
DEB	Diagonal End Base	24
DSB	Diagonal Sink Base	24
DSF	Diagonal Sink Front	25
LS	Lazy Susan Base	24
PB	Peninsula Base	23
PBC	Peninsula Base Corner	23
PD	Pot & Pan Drawer Base	24
SB	Sink Base	24
SBR	Sink Base Reverse	24
SF	Sink Fronts	25
SSBER	Super Susan Base Easy Reach	24

VANITY & 18" DEEP CABINETS		
VAD	Vanity Apron Drawer	29
VB	Vanity Base	27
VBX18	Vanity Base 18" Deep	28
VD	Vanity Drawer	27
VDX18	Vanity Drawer 18" Deep	28
VFD	Vanity File Drawer	29
VPD	Vanity Pencil Drawer	29
VS	Vanity Sink	27
VSX18	Vanity Sink 18" Deep	28
VS	Vanity Sink Base	27
VSXB18	Vanity Sink Base 18" Deep	28
VSC	Vanity Storage Cabinet	29
VSD	Vanity Sink Drawer	27
VSDX18	Vanity Sink Drawer 18" Deep	28
VSF	Vanity Sink Fronts	29
VSFH	Vanity Sink FHD	27
VSFHX18	Vanity Sink FHD 18" Deep	28
VSR	Vanity Sink Reverse	27
VSRX18	Vanity Sink Reverse 18" Deep	28

32.5" HIGH VANITY CABINETS		
HVB	32.5" H Vanity Base	30
HVBX18	32.5" H Vanity Base 18" Deep	31
HVD	32.5" H Vanity Drawer Base	30
HVDX18	32.5" H Vanity Drawer Base 18" D	31
HVS	32.5" H Vanity Sink	30
HVSX18	32.5" H Vanity Sink 18" Deep	31
HVSB	32.5" H Vanity Sink Base	30
HVSBX18	32.5" H Vanity Sink Base 18" Deep	31
HVSD	32.5" H Vanity Sink Drawer	30
HVSDX18	32.5" H Vanity Sink Drawer 18" D	31
HVSF	32.5" H Vanity Sink Fronts	32
HVSFH	32.5" H Vanity Sink FHD	30
HVSFHX18	32.5" H Vanity Sink FHD 18" D	32
HVSR	32.5" H Vanity Sink Reverse	31
HVSRX18	32.5" H Vanity Sink Reverse 18" D	32

Designation	Product	Page #
HANDICAP CABINETS		
HCB	Handicap Base	33
HCD	Handicap Drawer Base	33
HCSB	Handicap Sink Base	33
HCUB	Handicap Utility	33

ACCESSORIES		
BCF	Base Corner Filler	37
BDC	Bread Drawer Cover Kit	26, 36
BEP	Base End Panels	37
BES	Base End Shelf	25, 34
BP	Base Panels	37
COR	Corbels	36
CTK	Cutlery Tray Kit	26, 35
CUBE	Cube Shelf	19, 26, 36
CV	Contemporary Valance	36
DAG	Diagonal Appliance Garage	19, 34
DBP	Decorative Base Panel	26, 35
DDFP	Decorative Dishwasher Front	26, 35
DFP	Dishwasher Front Panel	26, 39
DRF	Drop-In Range Front	25, 34
DWP	Decorative Wall Panel	19, 35
FBP	Finished Back Panel	37
FBPX96	Finished Back Panel X96	38
PBES	Peninsula End Shelf	25, 34
RFEP	Refrigerator End Panel	38
ROSK	Roll-Out Shelf Kit	35
SD	Spice Drawer	18, 26, 36
SFF	Sink Front Floor	38
SFP	Sink Front Side Panel	37
SRK	Stemware Rack Kit	19, 35
STK	Sink Tray Kit	26, 34
SV	Scalloped Valance	36
SW	Slide Out Wastebasket Kit	26, 36
UP	Utility Panel	38
VF	Valance Frieze	36
VLP	Vanity Leg Panel	29, 34
WAG	Wall Appliance Garage	19, 34
WES	Wall End Shelf	17, 34
WP	Wall Panel	38

MISCELLANEOUS		
BM	Batten Moulding	40
BWF	Base/Wall Filler	39
CAP	Rosette Cap	40
CAPT	Rosette Cap Transition	40
CH-BER	Concealed Hinge BER	39
CH-1/2	Concealed Hinge .5"	39
CH1-1/4	Concealed Hinge 1.25"	39
CM	Crown Moulding	40
CRBM	Chair Rail Base Moulding	40
CTM	Counter Top Wood Edge Moulding	40
DD-CH	Concealed Hinge Double Door	39
DHG	Decorative Hinge Pair	39
DM	Dentil Moulding	40
DS-C	Concealed Hinge Door Silencers	39
DS-D	Decorative Hinge Door Silencers	39
DSKD	Drawer Slide Kitchen D	39
DSVD	Drawer Slide Vanity D	39
DSX18	Drawer Slide 18" Deep	39
FF	Fluted Fillers	39
FFT	Fluted Transition Fillers	39
GR	Galley Rail	40
ICM	Inside Corner Moulding	40
LCM	Large Crown Moulding	40
MCM	Medium Crown Moulding	41
OCM	Outside Corner Moulding	41
PJ	Jar of Putty	39
QRM	Quarter Round Moulding	41
RM	Rope Moulding	41
SC-1/2	Shelf Clips	39
SFTK	Sink Front Toe Kick	39
SH96	Shelving 1/2	39
SM	Scribe Moulding	41
SPL	Clear Spray Lacquer	39
STQ	Quart of Stain	39
TK	Toe Kick	39
TUP	Touchup Marker/Crayon	39
UF	Utility Filler	39
VCM	Victorian Crown Moulding	41
WCCF	Wall Cabinet Corner Floor	40
WLAC	White Spray Lacquer	39

CERTIFICATION

All cabinetry carries the Kitchen Cabinet Manufacturers Association (KCMA) certified cabinet seal, and complies with American National Standards Institute (ANSI) specification number A161.1-1995.

WALL CABINET CONSTRUCTION

Face Frames – 3/4" thick kiln dried ash, oak, maple, or similar hardwood depending on cabinet style, precisely fitted, glued and fastened at all joints.

Tops and Bottoms – 3/8" thick furniture board finished to match other interior components in either maple woodgrain or white depending on cabinet style. Tops and bottoms are dadoed into face frame, sides and back.

Sides – 3/8" thick furniture board finished to match other interior components in either maple woodgrain or white depending on style. Exterior side surfaces are finished in a complementing woodgrain or white depending on cabinet style and stain color. Sides are dadoed into face frame, top, bottom, and back.

Backs – 3/8" thick furniture board finished to match other interior components in either maple woodgrain or white depending on style. Back is recessed and dadoed into sides. Back is dadoed to accept top and bottom.

Hanging Rails – 3/8" thick furniture board concealed behind 3/8" cabinet back.

Shelves – 1/2" thick medium density fiberboard in either maple woodgrain or white depending on cabinet style. Fully adjustable in 24", 30", 36" and 42" heights utilizing locking shelf clips.

BASE CABINET CONSTRUCTION

Face Frames – 3/4" thick kiln dried ash, oak, maple, or similar hardwood depending on cabinet style, precisely fitted, glued and fastened at all joints.

Bottoms – 3/8" thick furniture board finished to match other interior components in either maple woodgrain or white depending on cabinet style. Bottom is dadoed into sides and face frame.

Sides – 3/8" thick furniture board finished to match other interior components in either maple woodgrain or white depending on style. Exterior side surfaces are finished in a complementing woodgrain or white depending on cabinet style and stain color. Sides are dadoed into bottom and face frame.

Backs – 1/8" thick hardboard in either maple woodgrain or white depending on cabinet style. Back is recessed and dadoed into sides.

Shelves – 1/2" thick medium density fiberboard in either maple woodgrain or white depending on cabinet style. Shelf is half depth and is dovetailed into sides.

Toe Kick – 5/8" particleboard. Toe kick is mounted internally and extends from the bottom of the base floor to the bottom of the cabinet for full support.

DRAWER BOX CONSTRUCTION-75# CAPACITY

Drawer Box Sides – 1/2" thick medium density fiberboard dovetailed and glued into a four-sided box. Sides are dadoed to accept drawer bottom. All sides are finished in maple woodgrain or white depending on style.

Drawer Bottoms – 1/8" thick hardboard in maple woodgrain or white depending on style. Drawer bottoms are dadoed into sides and hot melt glued.

DOOR AND DRAWER FRONTS

MELAMINE:

Encore II – Encore door and drawer fronts are manufactured using 5/8" thick chemical resistant double-sided melamine on medium density fiberboard. The top and bottom of each Encore door and drawer front is contoured to provide a finger pull. Horizontal edges are contour edge banded with a heat transfer foil to complement the door material and match the

frame and side colors. Vertical edges are machined and edge banded at a 90-degree angle to the face in the same material as the horizontal edges.

Lumina II – Lumina door and drawer fronts are manufactured using 5/8" thick chemical resistant double-sided melamine on particle board. One horizontal and two vertical edges are edge banded with PVC edge banding. A solid hardwood J-Pull finished to match the cabinet face frame is fitted and attached to the remaining horizontal edge utilizing adhesive and coated fasteners.

Legacy – Legacy door and drawer fronts are manufactured using 5/8" thick chemical resistant double-sided melamine on particleboard. One horizontal and two vertical edges are edge banded with durable PVC edge banding. A solid hardwood J-Pull finished to match the cabinet face frame is fitted and attached to the remaining horizontal edge utilizing adhesive and coated fasteners. Legacy door and drawer fronts are designed with 1/4" reveal between frame edge and side door or drawer front. Due to this, special consideration should be given to clearances, corners and appliances when designing a Legacy kitchen or bath.

Lexus – Lexus door and drawer fronts are manufactured using 5/8" thick chemical resistant double-sided melamine on particleboard. All door and front edges are laminated with PVC edge banding for a clean, uninterrupted appearance. Lexus door and drawer fronts are designed with 1/4" reveal between frame edge and side of door and drawer front and require optional decorative hardware (Pulls or Knobs) for opening. Due to this, special consideration must be given when designing a Lexus kitchen or bath.

WOOD FLAT PANEL:

Avalon – Square-Cathedral Avalon doors are manufactured using 3/4" thick by 2" wide solid ash hardwood assembled at all four corners using mortise and tenon joints, adhesive and coated fasteners. Door rail and stiles are machined to receive a 1/4" oak hardwood veneer panel. Cathedral doors feature the same material and construction as the Square door except the top rail is 3 3/4" wide and is machined to create a cathedral shape at the top of the door. Door edges are reverse beveled and contoured to provide easy cabinet access. Drawer fronts are manufactured using 3/4" thick solid ash hardwood and have an edge profile to match the door.

Centurion II – Square-Cathedral Centurion doors are manufactured using 3/4" thick by 2" wide solid oak hardwood assembled at all four corners using mortise and tenon joints, adhesive and coated fasteners. Door rail and stiles are machined to receive a 1/4" oak hardwood veneer panel. Cathedral doors feature the same material and construction as the Square door except the top rail is 3 3/4" wide and is machined to create a cathedral shape at the top of the door. Door edges are reverse beveled and contoured to provide easy cabinet access. Drawer fronts are manufactured using 3/4" thick solid oak hardwood and have an edge profile to match the door.

Mapleton – Square-Cathedral Mapleton doors are manufactured using 3/4" thick by 2" wide solid maple hardwood assembled at all four corners using mortise and tenon joints, adhesive and coated fasteners. Door rail and stiles are machined to receive a 1/4" maple hardwood veneer panel. Cathedral doors feature the same material and construction as the Square door except the top rail is 3 3/4" wide and is machined to create a cathedral shape at the top of the door. Door edges are reverse beveled and contoured to provide easy cabinet access. Drawer fronts are manufactured using 3/4" thick solid maple hardwood and have an edge profile to match the door.

Princeton II – Square-Cathedral Princeton doors are manufactured using 3/4" thick by 2 1/2" wide solid hardwood assembled at all four corners using mortise and tenon joints, adhesive and coated fasteners. Door rail and stiles are machined to receive a 1/4" hardwood veneer panel. Cathedral doors feature the same material and construction as the Square door except the top rail is 4 1/4" wide and is machined to create a cathedral shape at the top of the door. Door edges are reverse beveled and contoured to provide easy cabinet access. Drawer fronts are manufactured using 3/4" thick solid hardwood and have an edge profile to match the door.

WOOD RAISED PANEL:

Aurora – Square-Cathedral Aurora doors are manufactured using 3/4" thick by 2 1/2" wide solid ash hardwood assembled at four corners using mortise and tenon joints, adhesive and coated fasteners. Rubber expansion balls are inserted into the mortise of each stile to allow for the natural expansion and contraction of the solid panel. Aurora door rails and stiles are machined to receive a 9/16" thick solid ash hardwood panel shaped on four sides with a cove profile to create the raised panel. Cathedral doors feature the same material and construction as the Square doors except the top rail is 4 1/4" wide and is machined to create a cathedral shape at the top of the door. Door edges are reverse beveled and contoured to provide easy cabinet access. Drawer fronts are manufactured using 3/4" thick solid ash hardwood and have an edge profile to match the door.

Cambridge – Square-Cathedral Cambridge doors are manufactured using 3/4" thick by 2 1/2" wide solid oak hardwood assembled at four corners using mortise and tenon joints, adhesive and coated fasteners. Rubber expansion balls are inserted into the mortise of each stile to allow for the natural expansion and contraction of the solid panel. Cambridge door rails and stiles are machined to receive a 9/16" thick solid oak hardwood panel shaped on four sides with a cove profile to create the raised panel. Cathedral doors feature the same material and construction as the Square doors except the top rail is 4 1/4" wide and is machined to create a cathedral shape at the top of the door. Door edges are reverse beveled and contoured to provide easy cabinet access. Drawer fronts are manufactured using 3/4" thick solid oak hardwood and have an edge profile to match the door.

Majestic – Square-Cathedral Majestic doors are manufactured using 3/4" thick by 2 1/2" wide solid maple hardwood assembled at four corners using mortise and tenon joints, adhesive and coated fasteners. Rubber expansion balls are inserted into the mortise of each stile to allow for the natural expansion and contraction of the solid panel. Majestic door rails and stiles are machined to receive a 9/16" thick solid maple hardwood panel shaped on four sides with a cove profile to create the raised panel. Cathedral doors feature the same material and construction as the Square doors except the top rail is 4 1/4" wide and is machined to create a cathedral shape at the top of the door. Door edges are reverse beveled and contoured to provide easy cabinet access. Drawer fronts are manufactured using 3/4" thick solid maple hardwood and have an edge profile to match the door.

Pembrook II – Square-Cathedral Pembrook doors are manufactured using 3/4" thick by 2 1/2" wide solid hardwood assembled at four corners using mortise and tenon joints, adhesive and coated fasteners. Rubber expansion balls are inserted into the mortise of each stile to allow for the natural expansion and contraction of the solid panel. Pembrook door rails and stiles are machined to receive a 9/16" thick solid hardwood panel shaped on all four sides with a cove profile to create the raised panel. Cathedral doors feature the same material and construction as the Square doors except the top rail is 4 1/4" wide and is machined to create a cathedral shape at the top of the door. Door edges are reverse beveled and contoured to provide easy cabinet access. Drawer fronts are manufactured using 3/4" thick solid hardwood and have an edge profile to match the door.

THERMOFOIL (VINYL):

Crystal – Crystal doors are manufactured from 5/8" thick medium density fiberboard core which has been routed to give a panel-in-frame appearance. Rigid white thermofoil (Vinyl) is laminated to the front and edges of the door with a white low-pressure melamine applied to the back for balance. Door edges feature a 12-degree reverse bevel on all four edges for easy cabinet access and clean cosmetic appearance. Crystal drawer fronts are manufactured from the same materials as the door with a flat thermofoil face, shaped edges, and a 12-degree reverse bevel on all four sides for ease of opening.

FUNCTIONAL HARDWARE

Hinges – Encore II, Lumina II, Legacy, Lexus, Avalon, Centurion II, Mapleton, Princeton II, Aurora, Cambridge, Majestic, Pembrook II and Crystal feature concealed self-closing hinges with 110-degree opening capabilities. All hinges are designed for simple adjustment and carry a limited manufacturers lifetime warranty. Some hinges also offer 6way adjustment (in/out, up/down and side to side).

Drawer Guides – All cabinetry features self-closing, adjustable epoxy-coated, side-mounted guides with double captive rollers and built-in stop. Guides have a 75lb. load capacity and carry a limited manufacturers lifetime warranty.

FINISHES - Oak, Ash, Maple or Similar Hardwood

Finish Technique – All wood components are sanded to prepare surfaces for finish. Stain is applied to all components. A sealer is then applied and when dry, is sanded to prepare for top coating. A waterborn urethane top coat is then applied, creating a durable, household chemical and detergent-resistant finish.

Honey Oak/Ash – Traditional medium tone stain color. This hand wiped stain blends the natural color and grain variations within the wood without masking the natural beauty.

Ginger Oak/Ash – A lightly blended stain color. This hand wiped stain blends the various grain characteristics of the wood to give a more uniform natural look.

Spice Oak/Ash – A darker rich tone stain color. Hand wiping blends the rich color while enhancing the various grain characteristics of the wood.

Light Maple – A light translucent finish that gives a "natural maple" look to the hardwood by lightening and blending the various colors within the wood while accentuating its natural beauty.

Wheat – Light-medium tone finish. The hand wiped stain color lightly blends the grain and color variations in the wood accenting the natural beauty.

Cider – A medium toned stain. This stain blends and enhances the beauty of the various grains of the wood. (NOTE: Finish is only available on Mapleton and Majestic lines).

Nutmeg – Medium/dark tone finish on hardwood. Hand wiping accents the light/dark characteristics of the hardwood. The finish will magnify the range of light and dark color within the hardwood and is considered a feature of this product and not a defect.

Cherry Cinnamon – Rich burgundy cherry finish on solid hardwood. Hand wiping accents and magnifies the light/dark characteristics of the hardwood. Color variations within individual doors and fronts will be noticeable and are considered part of the beauty of the finish. These characteristics are inherent of the Cherry Cinnamon finish and are not a defect.

Fruitwood – Medium tone stain color. The stain color blends the natural color and grain variations within the hardwood. (Note: Finish is only available on face frames of Encore lines.)

Pickled – A semi-translucent spray finish. The finish shows a range of color on the hardwood due to its light masking effect. This characteristic of the Pickled finish is considered acceptable. (Note: Finish is only available on face frames of Encore lines.)

White – Durable white painted finish consisting of a white waterborn primer coat and a white waterborn top coat over hardwood that complements the white melamine or thermofoil doors. (Note: Finish is only available on face frames of Cierra, Lexus and Encore White/White lines.)

Important Product Advisories

Finishes are used that enhance the natural beauty of wood. Extra care is taken to assure a uniform finish. Because we believe in customer satisfaction we feel that it is important to explain some of the characteristics of the finish and the hardwood that it is applied to. Like a fingerprint, characteristic differences in color and grain are produced by nature in every tree. These variations are what create the beauty in our hardwood products. The variations in color and grain will cause variation in the finish, even though identical finishing processes are applied. Also as hardwoods age the color and characteristics will change. White painted face frames (Cierra, Lexus and Encore White/White) will eventually have visible seam lines at the joint area and stained hardwood species will darken or lighten with time. Furthermore, sunlight, smoke, household cleaners and other environmental conditions can also affect the color of the cabinetry in the same way.

Special Note – In an effort to provide the best possible products and to preserve our commitment to value and quality, we reserve the right to alter design specifications and materials if required.

Cabinet Dimensions

Wall Cabinets

12-18" High Wall Cabinet 24" High Wall Cabinet 30"/36"/42" High Wall Cabinet
*42" High Wall Cabinet
 *3 Adjustable Shelves Peninsula Wall Cabinets

Utility Cabinets

Utility Cabinets

Base Cabinets

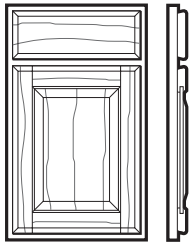
Standard Base Cabinet Peninsula Base Cabinet

Vanity Cabinets

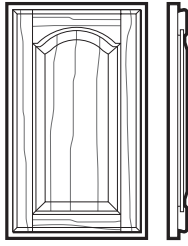
Vanity Sink Cabinet Vanity Base Cabinet

Cabinet Fronts

CONCEALED HINGE SERIES



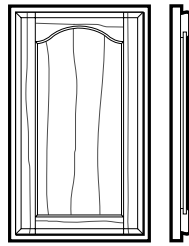
Aurora Square



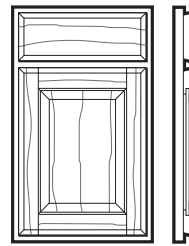
Aurora Cathedral



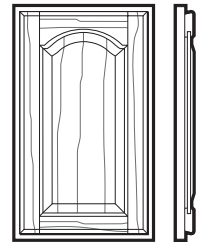
Avalon Square



Avalon Cathedral



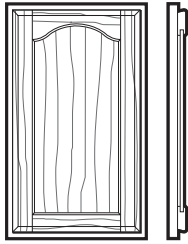
Cambridge Square



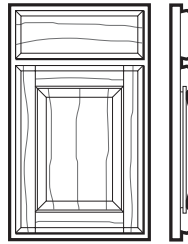
Cambridge Cathedral



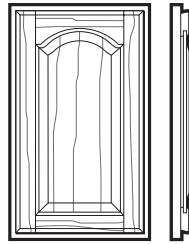
Centurion II Square



Centurion II Cathedral



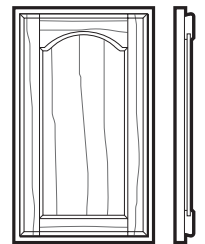
Pembroke II Square



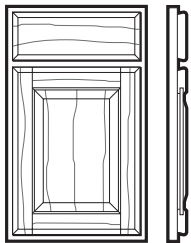
Pembroke II Cathedral



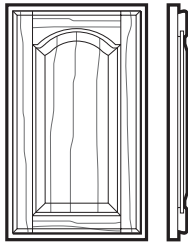
Princeton II Square



Princeton II Cathedral



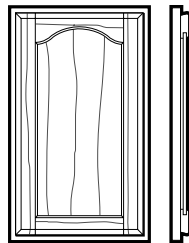
Majestic Square



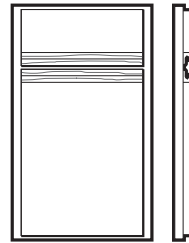
Majestic Cathedral



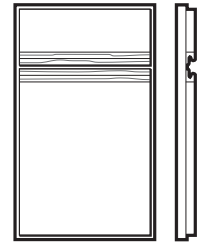
Mapleton Square



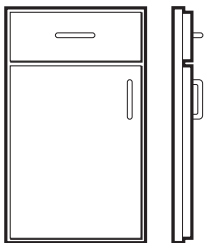
Mapleton Cathedral



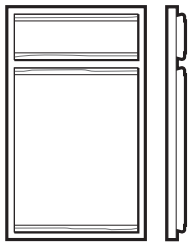
Lumina II



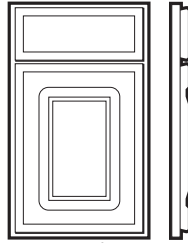
Legacy



Lexus



Encore II



Crystal

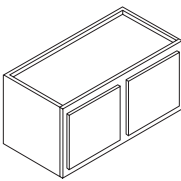
★ 100 cabinet minimum order required for these styles.

• Standard Wall Cabinets

NOTES:

- Standard wall depth is 12" unless otherwise specified.
- Most 24" and 48" wide wall cabinets are available with 2 (butt) doors. Specify "W-D."
- 1/2" shelves are adjustable unless otherwise stated.
- Cabinets 9" wide not available in cathedral style.

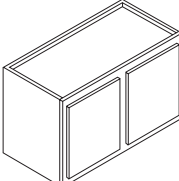
12" High Wall Cabinet



12" High
W2712
W3012
W3312
W3612
W3912
W4212

2 Doors
No Shelf

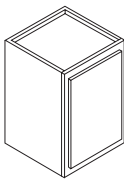
15" High Wall Cabinet



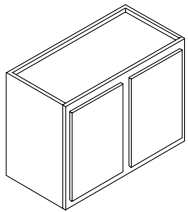
15" High
W2715
W3015
W3315
W3615
W3915
W4215
W4515
W4815
**W4815D

2 Doors
No Shelf
** Double Butt Doors

18" High Wall Cabinet



18" High
W2418
*W2418D

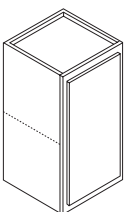


18" High
W2718
W3018
W3318
W3618
W3918
W4218
W4518
W4818
**W4818D

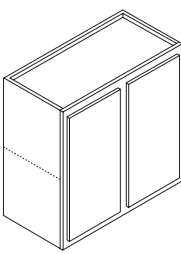
1 Door
No Shelf
* 2 Butt Doors—No Center Stile

2 Doors
No Shelf
**Double Butt Doors

24" High Wall Cabinet



24" High
W1224
W1524
W1824
W2124
W2424
*W2424D

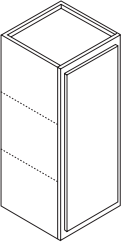


24" High
W2724
W3024
W3324
W3624
W3924
W4224
W4524
W4824
**W4824D

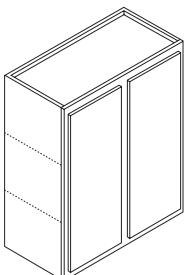
1 Door
1 Shelf
* 2 Butt Doors—No Center Stile

2 Doors
1 Shelf
**Double Butt Doors

30" High Wall Cabinet



30" High
W0930
W1230
W1530
W1830
W2130
W2430
*W2430D

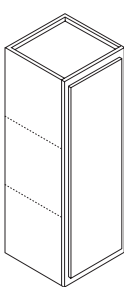


30" High
W2730
W3030
W3330
W3630
W3930
W4230
W4530
W4830
**W4830D

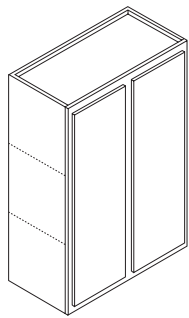
1 Door
2 Shelves
* 2 Butt Doors—No Center Stile

2 Doors
2 Shelves
**Double Butt Doors

36" High Wall Cabinet



36" High
W0936
W1236
W1536
W1836
W2136
W2436
*W2436D

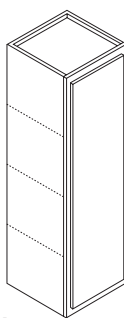


36" High
W2736
W3036
W3336
W3636
W3936
W4236
W4536
W4836
**W4836D

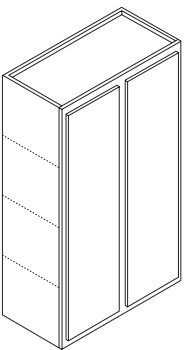
1 Door
2 Shelves
* 2 Butt Doors—No Center Stile

2 Doors
2 Shelves
**Double Butt Doors

42" High Wall Cabinet



42" High
W0942
W1242
W1542
W1842
W2142
W2442
*W2442D



42" High
W2742
W3042
W3342
W3642

2 Door
3 Shelves
* 2 Butt Doors—No Center Stile

2 Doors
3 Shelves

• **Refrigerator Wall Cabinets**
 • **Wall Corner Blind Cabinets**

- Standard wall depth is 12" unless otherwise specified.
- Most 24" and 48" wide wall cabinets are available with 2 (butt) doors. Specify "W-D."
- 1/2" shelves are adjustable unless otherwise stated.

Wall Corner Specifications

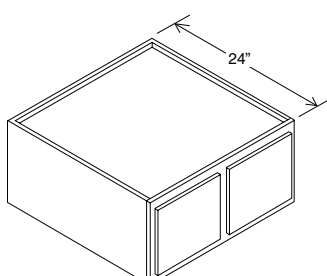
	Actual Width	Minimum Extension	Maximum Extension	Door Opening
SINGLE DOOR				
WC24-18/24/30/36/42	(A) 24"	(B) 24"	(C) 27"	(D) 9"
WC27-30/36	27"	27"	30"	12"
WC30-18/24/30/36/42	30"	30"	33"	15"
WC33-30/36	33"	33"	36"	18"
WC36-18/24/30/36/42	36"	36"	39"	21"
*WC36D-18/24/30/36/42	36"	36"	39"	21"
DOUBLE DOOR				
WC39-30/36	39"	39"	42"	10 ¹ / ₂ "
WC42-30/36	42"	42"	45"	12"
WC45-30/36	45"	45"	48"	13 ¹ / ₂ "
WC48-30/36	48"	48"	51"	15"

(Filler is required. Order BWF3 separately)

See Page 8 for Install Example

* 2 Butt Doors—No Center Stile

12" High Refrigerator Wall Cabinet

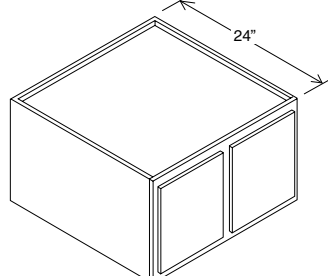


24"

12" High
 W3312X24
 W3612X24
 W3912X24
 W4212X24

2 Doors
 No Shelf

15" High Refrigerator Wall Cabinet

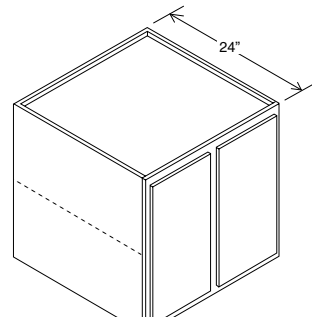


24"

15" High
 W3315X24
 W3615X24
 W3915X24
 W4215X24

2 Doors
 No Shelf

24" High Refrigerator Wall Cabinet

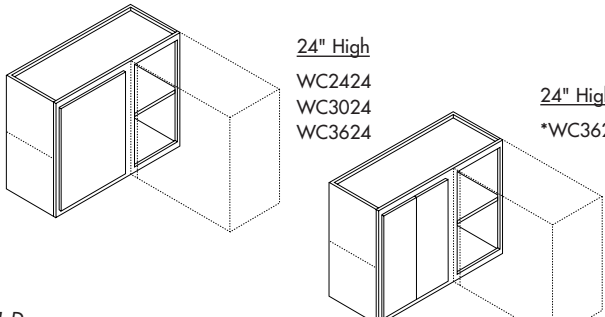


24"

24" High
 W3324X24
 W3624X24
 W3924X24
 W4224X24

2 Doors
 One Shelf

24" High Wall Corner Blind Cabinet



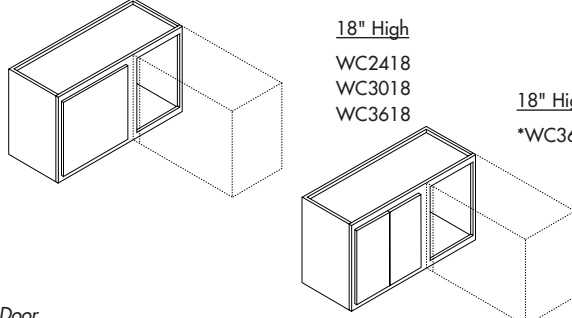
24" High
 WC2424
 WC3024
 WC3624

24" High
 *WC3624D

1 Door
 1 Shelf
 * 2 Butt Doors—No Center Stile

Filler required. Order separately.

18" High Wall Corner Blind Cabinet



18" High
 WC2418
 WC3018
 WC3618

18" High
 *WC3618D

1 Door
 No Shelf
 * 2 Butt Doors—No Center Stile

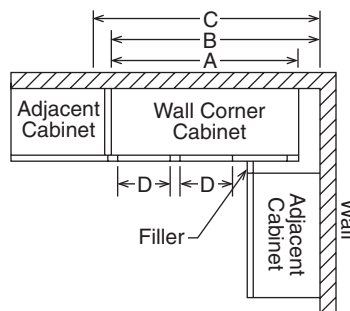
Filler required. Order separately.

• Wall Corner Cabinets (cont.)

• Peninsula Wall Cabinets

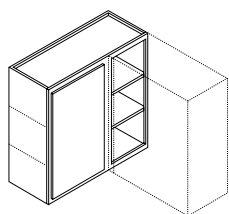
- Standard wall depth is 12" unless otherwise specified.
- Most 24" and 48" wide wall cabinets are available with 2 (butt) doors. Specify "W-D."
- 1/2" shelves are adjustable unless otherwise stated.

INSTALLATION EXAMPLE - Wall Corner Cabinets

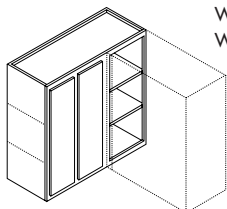


Filler required. Order separately. Specify BWF3

30" High Wall Corner Blind Cabinet



30" High
 WC2430
 WC2730
 WC3030
 WC3330
 WC3630
 *WC3630D

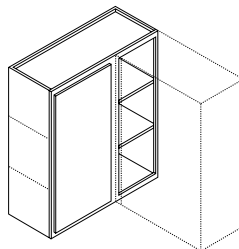


30" High
 WC3930
 WC4230
 WC4530
 WC4830

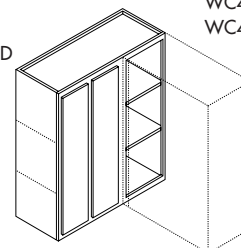
1 Door
 2 Shelves
 * 2 Butt Doors—No Center Stile

2 Doors
 2 Shelves
 Filler required. Order separately.

36" High Wall Corner Blind Cabinet



36" High
 WC2436
 WC2736
 WC3036
 WC3336
 *WC3636D



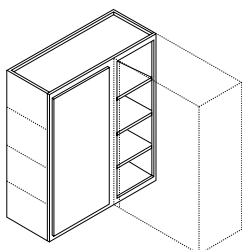
36" High
 WC3936
 WC4236
 WC4536
 WC4836

1 Door
 2 Shelves
 * 2 Butt Doors—No Center Stile

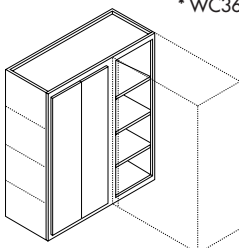
Filler required. Order separately.

2 Doors
 2 Shelves

42" High Wall Corner Blind Cabinet



42" High
 WC2442
 WC3042
 WC3642

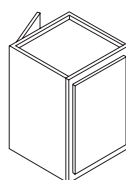


42" High
 *WC3642D

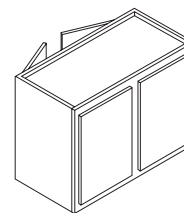
1 Door
 3 Shelves
 * 2 Butt Doors—No Center Stile

Filler required. Order separately.

18" High Peninsula Wall Cabinet



18" High
 PW2418
 *PW2418D

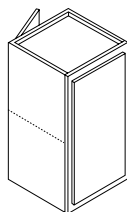


18" High
 PW2718
 PW3018
 PW3318
 PW3618
 PW3918
 PW4218
 PW4518
 PW4818
 **PW4818D

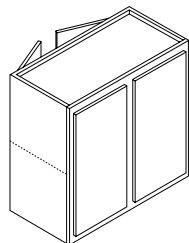
1 Door Each Side
 No Shelf
 * 2 Butt Doors—No Center Stile
 Each Side

2 Doors Each Side
 No Shelf
 ** Double Butt Doors Each Side

24" High Peninsula Wall Cabinet



24" High
 PW1224
 PW1524
 PW1824
 PW2124
 PW2424
 *PW2424D

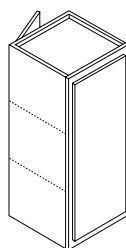


24" High
 PW2724
 PW3024
 PW3324
 PW3624
 PW3924
 PW4224
 PW4524
 PW4824
 **PW4824D

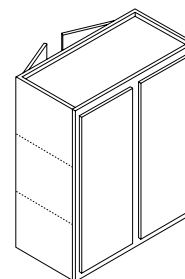
1 Door Each Side
 No Shelf
 * 2 Butt Doors Each Side—No Center Stile

2 Doors Each Side
 1 Shelf
 ** Double Butt Doors Each Side

30" High Peninsula Wall Cabinet



30" High
 PW0930
 PW1230
 PW1530
 PW1830
 PW2130
 PW2430
 *PW2430D



30" High
 PW2730
 PW3030
 PW3330
 PW3630
 PW3930
 PW4230
 PW4530
 PW4830
 **PW4830D

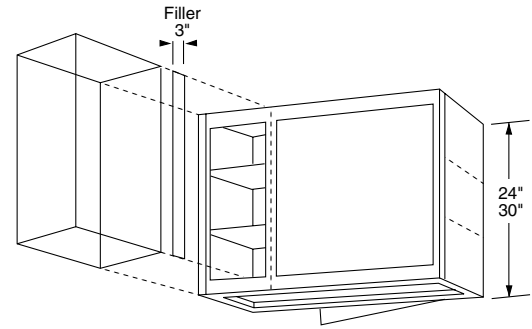
1 Door Each Side
 2 Shelves
 * 2 Butt Doors Each Side—No Center Stile

2 Doors Each Side
 2 Shelves
 ** Double Butt Doors Each Side

- Peninsula Wall Corner
- Peninsula Diagonal Wall
- Peninsula Wall Easy Reach

- Standard wall depth is 12" unless otherwise specified.
- Most 24" and 48" wide wall cabinets are available with 2 (butt) doors. Specify "W-D."
- 1/2" shelves are adjustable unless otherwise stated.

INSTALLATION EXAMPLE - Peninsula Wall Corner



Filler required. Order separately. Specify BWF3

24" High Peninsula Wall Corner Cabinet

24" High
PWC2424

1 Door Each Side
1 Shelf

24" High
PWC3024
PWC3624
*PWC3624D

1 Door On Front
2 Doors On Back
1 Shelf

* 2 Butt Doors—No Center Stile-Front
2 doors On Back

Filler required. Order separately.

30" High Peninsula Wall Corner Cabinet

30" High
PWC2430

1 Door Each Side
2 Shelves

30" High
PWC3030
PWC3630
*PWC3630D

1 Door On Front
2 Shelves
2 Doors On Back
2 doors On Back

* 2 Butt Doors—No Center Stile-Front
2 doors On Back

Filler required. Order separately.

24" High Peninsula Diagonal Wall Cabinet

24" High
PDW2424

1 Door On Front
1 Door On Back
1 Shelf

24" High
PDW2724

1 Door On Front
2 Doors On Back
1 Shelf

30" High Peninsula Diagonal Wall Cabinet

30" High
PDW2430

1 Door On Front
1 Door On Back
2 Shelves

30" High
PDW2730

1 Door On Front
2 Doors On Back
2 Shelves

24" High Peninsula Wall Easy Reach Cabinet

24" High
PWER2424

1 Bi-Part Door On Front
1 Door On Back
1 Shelf

30" High Peninsula Wall Easy Reach Cabinet

30" High
PWER2430

1 Bi-Part Door On Front
1 Door On Back
2 Shelves

• **Diagonal Wall Cabinets**
 • **Diagonal Wall Cabinets w/Lazy Susan**

NOTES:

- Standard wall depth is 12" unless otherwise specified.
- Most 24" and 48" wide wall cabinets are available with 2 (butt) doors. Specify "W-D."
- 1/2" shelves are adjustable unless otherwise stated.

24" High Diagonal Wall Cabinet

24" High
 DW2424
 *DW2724

1 Door
 1 Shelf

*Depth is 15"

30" High Diagonal Wall Cabinet

30" High
 DW2430
 *DW2730

1 Door
 2 Shelves

*Depth is 15"

36" High Diagonal Wall Cabinet

36" High
 DW2436
 *DW2736

1 Door
 2 Shelves

*Depth is 15"

42" High Diagonal Wall Cabinet

42" High
 DW2442
 *DW2742

1 Door
 3 Shelves

*Depth is 15"

24" High Diagonal Wall Cabinet w/LS

24" High
 DW2424LS
 *DW2724LS

1 Door
 1 Revolving Shelf

*Depth is 15"

30" High Diagonal Wall Cabinet w/LS

30" High
 DW2430LS
 *DW2730LS

1 Door
 2 Revolving Shelves

*Depth is 15"

• **Diagonal Wall Cabinets w/Lazy Susan (continued)**
 • **Peninsula Diagonal Wall Cabinets w/Lazy Susan**

NOTES:

- Standard wall depth is 12" unless otherwise specified.
- Most 24" and 48" wide wall cabinets are available with 2 (butt) doors. Specify "W-D."
- 1/2" shelves are adjustable unless otherwise stated.

36" High Diagonal Wall Cabinet w/LS

36" High
 DW2436LS
 *DW2736LS

1 Door
 2 Revolving Shelves

*Depth is 15"

42" High Diagonal Wall Cabinet w/LS

42" High
 DW2442LS
 *DW2742LS

1 Door
 3 Revolving Shelves

*Depth is 15"

24" High Peninsula Diagonal Wall Cabinet w/LS

24" High
 PDW2424LS
 *PDW2724LS

1 Door On Front
 1 Door On Back
 1 Revolving Shelf

*1 Door On Front
 *2 Doors On Back
 *1 Revolving Shelf
 *Depth is 15"

30" High Peninsula Diagonal Wall Cabinet w/LS

30" High
 PDW2430LS
 *PDW2730LS

1 Door On Front
 1 Door On Back
 2 Revolving Shelves

*1 Door On Front
 *2 Doors On Back
 *2 Revolving Shelves
 *Depth is 15"

• Microwave Wall Cabinets with Removable Shelf

NOTES:

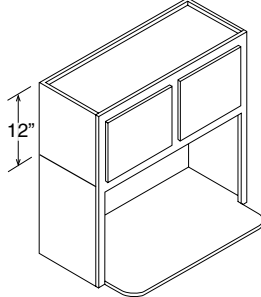
- Standard wall depth is 12" unless otherwise specified.
- Most 24" and 48" wide wall cabinets are available with 2 (butt) doors. Specify "W-D."
- Removable microwave shelf depth is 17".
Listed on orders separately for production purposes (ie:MS24)

18" High Microwave Wall Cabinet/No Door



18" High
MW3018

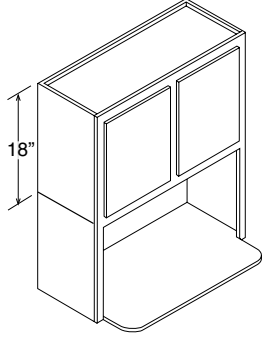
30" High Microwave Wall Cabinet



30" High
* MW2430D
MW2730
MW3030

* 2 Butt Doors—No Center Stile

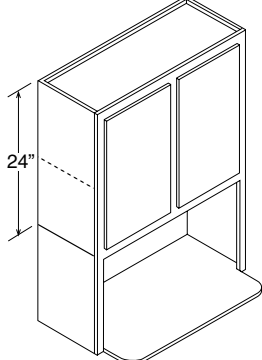
36" High Microwave Wall Cabinet



36" High
* MW2436D
MW2736
MW3036

* 2 Butt Doors—No Center Stile

42" High Microwave Wall Cabinet



42" High
* MW2442D
MW2742
MW3042

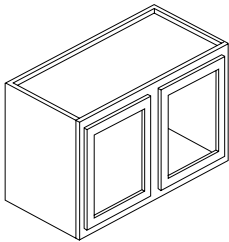
1 Shelf
* 2 Butt Doors—No Center Stile

•Frame Door Cabinets

NOTES:

- Standard wall depth is 12" unless otherwise specified.
- 1/2" shelves are adjustable unless otherwise stated.
- Glass and retainers not included.
- Cathedral not available.

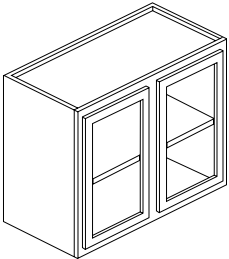
18" High Frame Door Wall Cabinet



18" High
W3018-FD
W3318-FD
W3618-FD

2 Doors
No Shelf

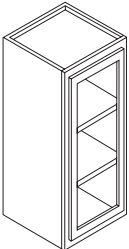
24" High Frame Door Wall Cabinet



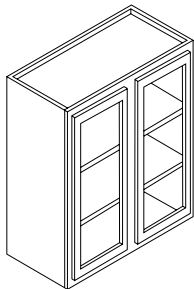
24" High
W3024-FD
W3324-FD
W3624-FD

2 Doors
1 Shelf

30" High Frame Door Wall Cabinet



30" High
W1530-FD
W1830-FD

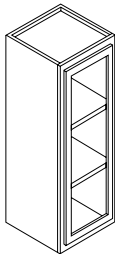


30" High
W3030-FD
W3330-FD
W3630-FD

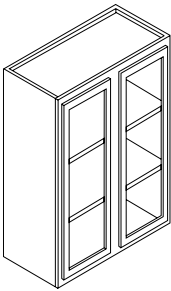
1 Door
2 Shelves

2 Doors
2 Shelves

36" High Frame Door Wall Cabinet



36" High
W1536-FD
W1836-FD

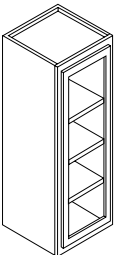


36" High
W3036-FD
W3336-FD
W3636-FD

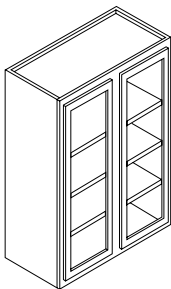
1 Door
2 Shelves

2 Door
2 Shelves

42" High Frame Door Wall Cabinet



42" High
W1542-FD
W1842-FD



42" High
W3042-FD
W3342-FD
W3642-FD

1 Door
3 Shelves

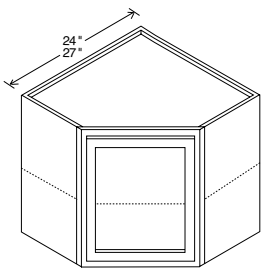
2 Doors
3 Shelves

• Frame Door Diagonal Cabinets

NOTES:

- Standard wall depth is 12" unless otherwise specified.
- 1/2" shelves are adjustable unless otherwise stated.
- Glass and retainers not included.
- Cathedral not available.

24" High Diagonal Wall Cabinet

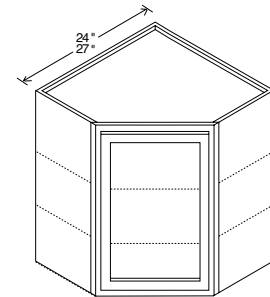


24" High
DW2424-FD
*DW2724-FD

1 Door
1 Shelf

*Depth is 15"

30" High Diagonal Wall Cabinet

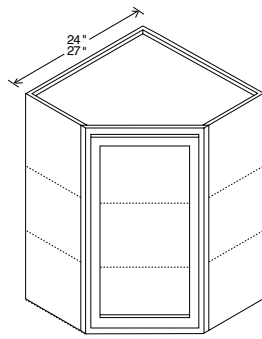


30" High
DW2430-FD
*DW2730-FD

1 Door
2 Shelves

*Depth is 15"

36" High Diagonal Wall Cabinet

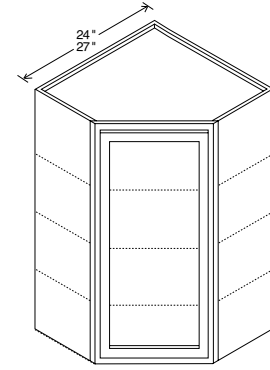


36" High
DW2436-FD
*DW2736-FD

1 Door
2 Shelves

*Depth is 15"

42" High Diagonal Wall Cabinet



42" High
DW2442-FD
*DW2742-FD

1 Door
3 Shelves

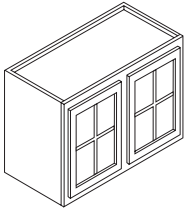
*Depth is 15"

• Mullion Door Cabinets

NOTES:

- Standard wall depth is 12" unless otherwise specified.
- 1/2" shelves are adjustable unless otherwise stated.
- Glass and retainers not included.
- Shelves do not line up with mullions.
- Cathedral not available.

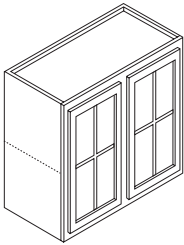
18" High Mullion Door Wall Cabinet



18" High
W3018-MD
W3318-MD
W3618-MD

2 Doors
No Shelf

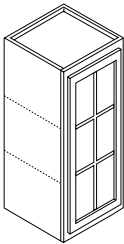
24" High Mullion Door Wall Cabinet



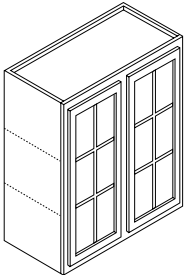
24" High
W3024-MD
W3324-MD
W3624-MD

2 Doors
1 Shelf

30" High Mullion Door Wall Cabinet



30" High
W1530-MD
W1830-MD

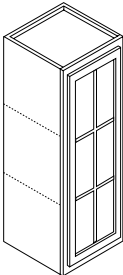


30" High
W3030-MD
W3330-MD
W3630-MD

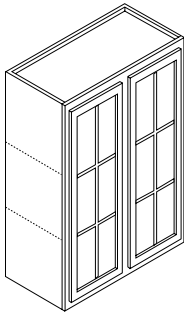
1 Door
2 Shelves

2 Doors
2 Shelves

36" High Mullion Door Wall Cabinet



36" High
W1536-MD
W1836-MD

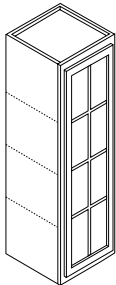


36" High
W3036-MD
W3336-MD
W3636-MD

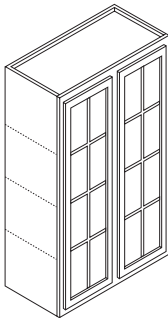
1 Door
2 Shelves

2 Doors
2 Shelves

42" High Mullion Door Wall Cabinet



42" High
W1542-MD
W1842-MD



42" High
W3042-MD
W3342-MD
W3642-MD

1 Door
3 Shelves

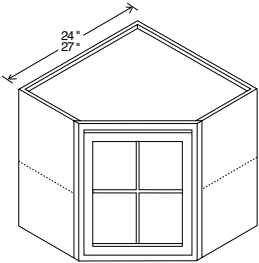
2 Doors
3 Shelves

• Mullion Door Diagonal Cabinets

NOTES:

- Standard wall depth is 12" unless otherwise specified.
- 1/2" shelves are adjustable unless otherwise stated.
- Glass and retainers not included.
- Shelves do not line up with mullions.
- Cathedral not available

24" High Mullion Door Diagonal Wall Cabinet

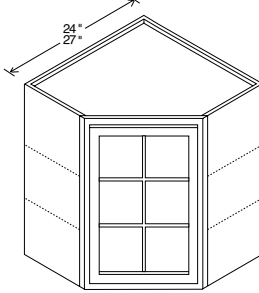


24" High
DW2424-MD
*DW2724-MD

1 Door
1 Shelf

*Depth is 15"

30" High Mullion Door Diagonal Wall Cabinet

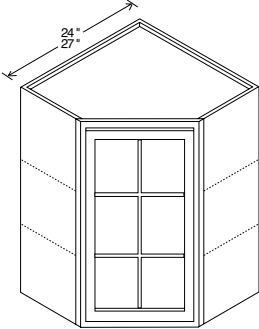


30" High
DW2430-MD
*DW2730-MD

1 Door
2 Shelves

*Depth is 15"

36" High Mullion Door Diagonal Wall Cabinet

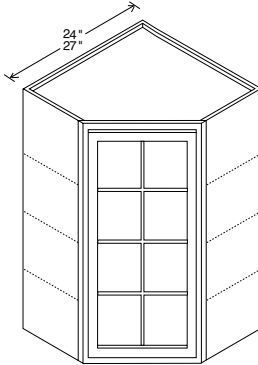


36" High
DW2436-MD
*DW2736-MD

1 Door
2 Shelves

*Depth is 15"

42" High Mullion Door Diagonal Wall Cabinet



42" High
DW2442-MD
*DW2742-MD

1 Door
3 Shelves

*Depth is 15"

•Wall Specialties

NOTES:

- Standard wall depth is 12" unless otherwise specified.
- Most 24" and 48" wide wall cabinets are available with 2 (butt) doors. Specify "W-D."
- 1/2" shelves are adjustable unless otherwise stated.
- Angle end wall cabinet not available in cathedral style.

Wall End Shelf

30" High
WES30
WES36
WES42

Radius 4 5/8"

Diag. End Wall Cabinet

30" High
DEW30
DEW36
*DEW42

1 Door
2 Shelves
*3 Shelves

1 Drawer Wall

6" High
W1D15
W1D18
W1D21
W1D24

3 Drawer Wall

18" High
W3D15
W3D18
W3D21
W3D24

15" High Plate Rack

15" High
PR3015
PR3615

Wine Rack Cabinets

WR3615
WR3618

Wine Rack Cabinets

WR1830
WR2430

Angle End Wall Cabinet

30" High
AEW30
AEW36
*AEW42

2 Doors
2 Shelves
*3 Shelves

(SQUARE STYLES ONLY)

• Wall Specialties

NOTES:

- Standard wall depth is 12" unless otherwise specified.
- Most 24" and 48" wide wall cabinets are available with 2 (butt) doors. Specify "W-D."
- 1/2" shelves are adjustable unless otherwise stated.

24" High Wall Easy Reach

WER2424

1 Bi-Part Door
1 Shelf

30" High Wall Easy Reach

WER2430

1 Bi-Part Door
2 Shelves

36" High Wall Easy Reach

WER2436

1 Bi-Part Door
2 Shelves

42" High Wall Easy Reach

WER2442

1 Bi-Part Door
3 Shelves

Organizers

ORG24X6
ORG30X6
ORG36X6

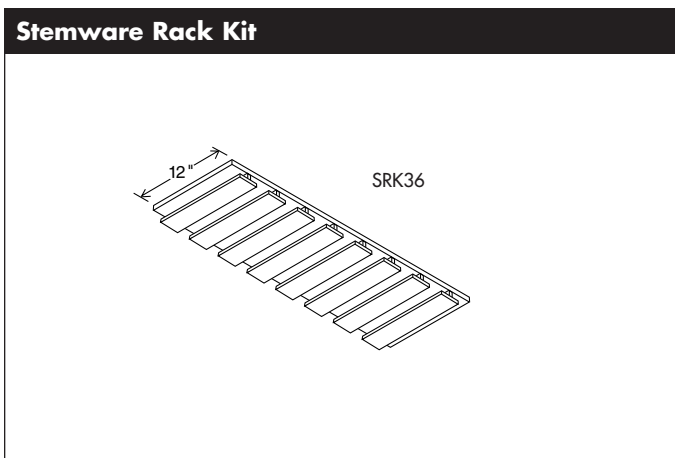
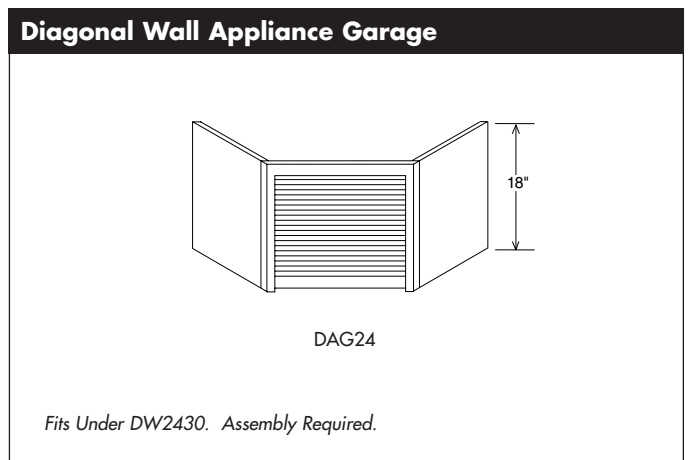
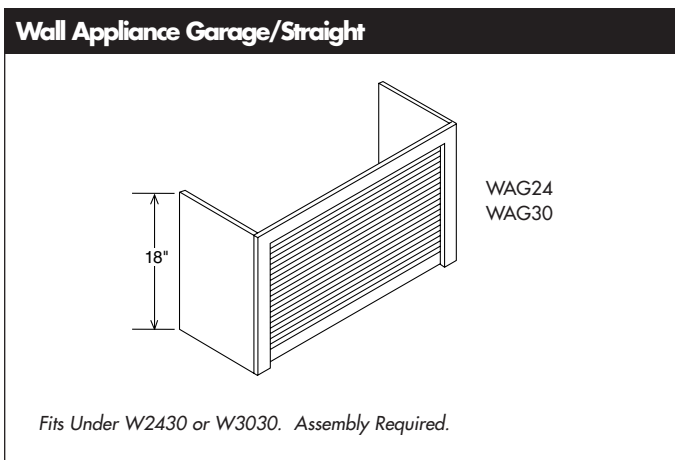
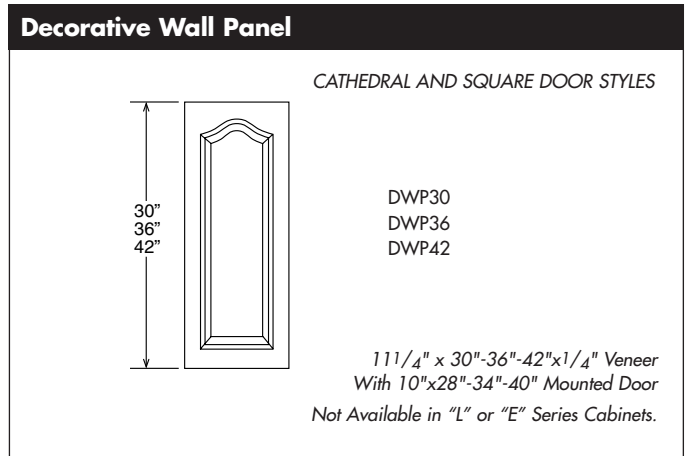
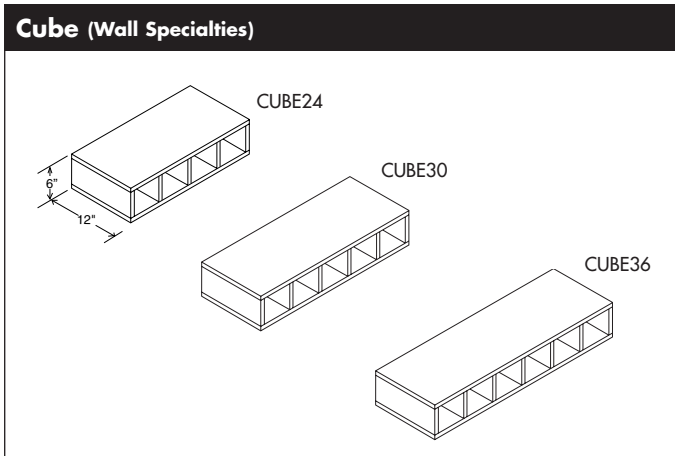
Spice Drawers

SD24
SD30
SD36

(Drawer fronts for all styles are square slab only)

•Wall Specialties (continued)
 •Wall Accessories

NOTES:



• Utility Wall Cabinets

NOTES:

- Standard wall depth is 12" unless otherwise specified.
- Standard base depth is 24"
- 1/2" adjustable shelves.
- 96" high cabinets. Toe assembly ship loose as part number TKAUB or TKAUW.

Utility Wall Cabinet 84" H, 12" D

84" High
 UW1284
 UW1584
 UW1884
 UW2184
 UW2484

84" High
 * UW2484D

4 Adjustable Shelves
 1 Fixed Shelf
 * 4 Butt Doors—No Center Stile

Utility Wall Cabinet 90" H, 12" D

90" High
 UW1290
 UW1590
 UW1890
 UW2190
 UW2490

90" High
 * UW2490D

4 Adjustable Shelves
 1 Fixed Shelf
 * 4 Butt Doors—No Center Stile

Utility Wall Cabinet 96" H, 12" D

96" High
 UW1296
 UW1596
 UW1896
 UW2196
 UW2496

96" High
 * UW2496D

5 Adjustable Shelves
 1 Fixed Shelf
 Toe Assembly Shipped Loose
 * 4 Butt Doors—No Center Stile

Utility Base Cabinet 84" H, 24" D

84" High
 UB1284
 UB1584
 UB1884
 UB2184
 UB2484

84" High
 * UB2484D

4 Adjustable Shelves
 1 Fixed Shelf
 * 4 Butt Doors—No Center Stile

Utility Base Cabinet 90" H, 24" D

90" High
 UB1290
 UB1590
 UB1890
 UB2190
 UB2490

90" High
 * UB2490D

4 Adjustable Shelves
 1 Fixed Shelf
 * 4 Butt Doors—No Center Stile

Utility Base Cabinet 96" H, 24" D

96" High
 UB1296
 UB1596
 UB1896
 UB2196
 UB2496

96" High
 * UB2496D

5 Adjustable Shelves
 1 Fixed Shelf
 Toe Assembly Shipped Loose
 * 4 Butt Doors—No Center Stile

•Oven Cabinets

• Depth is 24".

NOTES:

Universal Oven Cabinet 84" H

18"

84" High
OC2784*
OC3084
OC3384

2 Upper Doors
*Butt Doors

Universal Oven Cabinet 90" H

24"

90" High
OC2790*
OC3090
OC3390

2 Upper Doors
1 Shelf
*Butt Doors

Universal Oven Cabinet 96" H

30"

96" High
OC2796*
OC3096
OC3396

2 Upper Doors
Toe Assembly Shipped Loose
1 Shelf
*Butt Doors

INSTALLATION EXAMPLE - Universal Oven Cabinets

27"
30"
33"

MIN.
MAX.

53/4" Max. cut out

24"
31 1/2"
37"
44 1/2"
44"
51 1/2"
52 1/2"
60"

Cut Out Widths:
27" Wide
 Minimum-21"
 Maximum-25-1/2"
30" Wide
 Minimum-24"
 Maximum-28-1/2"
33" Wide
 Minimum-27"
 Maximum-31-1/2"

2 Doors
3 Drawers

Designed to be cut to fit the majority of oven units manufactured. The maximum and minimum dimensions shown are to permit on-the-job modification of the opening in height and width for the appliance to be used. Toe base assembly shipped loose on 96" high cabinets.

• Utility Fronts/Non-Trimable
 • Utility Fronts/Trimable UF-3

NOTES:

Utility Front Non-Trim 84" H

84" High
 UF15X84
 UF18X84
 UF24X84

84" High
 * UF24DX84

1 Frame
 2 Doors
 Toe Space Flush
 * 4 Butt Doors—No Center Stile

Utility Front Non-Trim 90" H

90" High
 UF15X90
 UF18X90
 UF24X90

90" High
 * UF24DX90

1 Frame
 2 Doors
 Toe Space Flush
 * 4 Butt Doors—No Center Stile

Utility Front Non-Trim 96" H

96" High
 UF15X96
 UF18X96
 UF24X96

96" High
 * UF24DX96

1 Frame
 2 Doors
 Toe Space Flush
 * 4 Butt Doors—No Center Stile

Utility Front Trimmable 84" H

84" High
 UF15-3X84
 UF18-3X84
 UF24-3X84

1 Frame
 2 Doors
 May Be Trimmed Up To 1 1/2" Each Side
 Toe Space Flush

Utility Front Trimmable 90" H

90" High
 UF15-3X90
 UF18-3X90
 UF24-3X90

1 Frame
 2 Doors
 May Be Trimmed Up To 1 1/2" Each Side
 Toe Space Flush

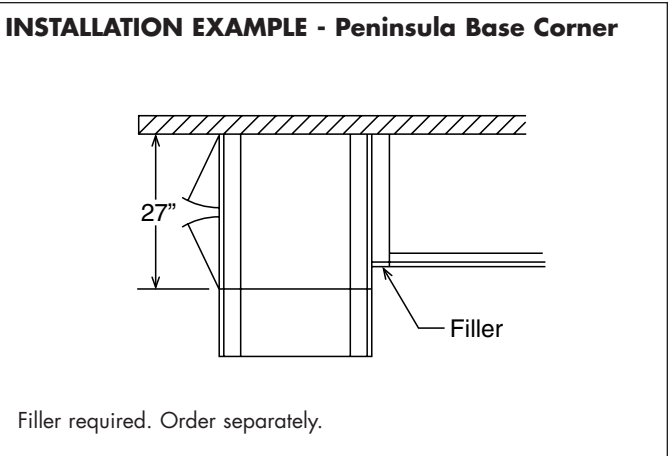
Utility Front Trimmable 96" H

96" High
 UF15-3X96
 UF18-3X96
 UF24-3X96

1 Frame
 2 Doors
 May Be Trimmed Up To 1 1/2" Each Side
 Toe Space Flush

- **Standard Base Cabinets**
- **Peninsula Base Cabinets**
- **Peninsula Base Corner Cabinets**

- Base depth is 24" unless otherwise specified.
- Base height is 34 1/2". Toe kick is 4 1/2".
- Base cabinets have a fixed center 1/2" x 10 1/4" depth shelf unless otherwise specified.



Base Cabinet

⊙B09
 B12
 B15
 B18
 B21
 B24
 *B24D

B27
 B30
 B33
 B36
 B39
 B42
 B45
 B48
 **B48D

1 Drawer
1 Door
* 2 Butt Doors—No Center Stile
⊙ No Center Shelf

2 Drawers
2 Doors
**Double Butt Doors

Base Full Height Cabinet

⊙BFH09
 BFH12
 BFH15
 BFH18
 BFH21
 BFH24
 *BFH24D

BFH27
 BFH30
 BFH33
 BFH36
 BFH39
 BFH42
 BFH45
 BFH48
 **BFH48D

1 Door
* 2 Butt Doors—No Center Stile
⊙ No Center Shelf

2 Doors
**Double Butt Doors

Base Cabinet w/Roll-Out Shelf

B12ROS
 B15ROS
 B18ROS
 B21ROS
 B24ROS
 *B24DROS

1 Drawer
1 Door
1 Rollout Shelf
* 2 Butt Doors—No Center Stile

3-Drawer Base Cabinet

D12-3
 D15-3
 D18-3
 D21-3
 D24-3

4-Drawer Base Cabinet

D12-4
 D15-4
 D18-4
 D21-4
 D24-4

Peninsula Base Cabinet

PB18
 PB21
 PB24
 *PB24D

PB30
 PB36
 PB42
 PB48
 **PB48D

1 False Front
1 Drawer
2 Door
1 Full Depth Shelf
* 4 Butt Doors—No Center Stile

2 False Fronts
2 Drawers
4 Doors
1 Full Depth Shelf
**Double Butt Doors

Top View

Top View

Peninsula Base Corner Cabinet

Filler required. Order separately.
Installation example shown above.

PBC27

2 Doors
 2 Drawers
 1 Full Depth Shelf
 4 1/2" Wide Stiles At Rear of Cab. Permit Cab. to be Installed Left or Right

- **Sink Base Cabinets**
- **Blind Corner Base Cabinets**
- **Specialty Bases**

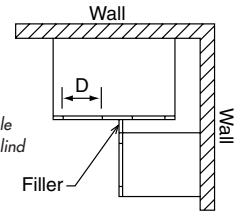
- Base depth is 24" unless otherwise specified.
- Base height is 34 1/2". Toe kick is 4 1/2".
- Base cabinets have a fixed center 1/2" x 10 1/4" depth shelf unless otherwise specified.
- Sink base cabinets do not have center shelf.
- Reverse cabinets have a floor between cavity and drawers.

INSTALLATION EXAMPLE - Blind Corner Base Cabinet

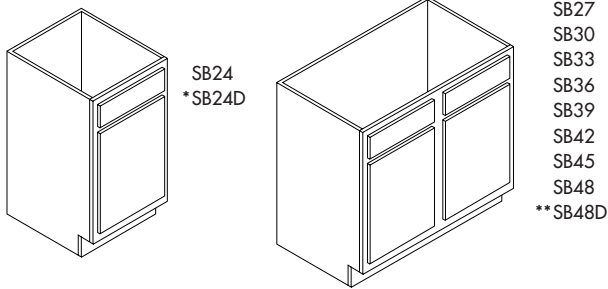
PART NO.	Actual Cab. Width (A)	Minimum Extension (B)	Maximum Extension (C)	Door Opening (D)
BC 36/39	24"	36"	39"	71 1/2"
BC 39/42	30"	39"	42"	101 1/2"
BC 42/45	36"	42"	45"	131 1/2"
BC 45/48	42"	45"	48"	161 1/2"
BC 48/51	48"	48"	51"	191 1/2"

- 1 Door
- 1 Drawer
- 1 Center Shelf

Designed to be pulled out of corner; see installation example at right. Specify (L) or (R) right blind. (blind right shown). Blind Corner Cabinets can be reversed by relocating door and drawer. (Filler is required. Order BWF-3 separately.)



Sink Base Cabinet

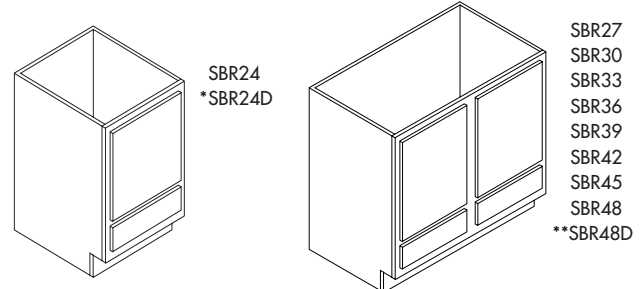


- SB27
- SB30
- SB33
- SB36
- SB39
- SB42
- SB45
- SB48
- **SB48D

- 1 False Front
- 1 Door
- * 2 Butt Doors—No Center Stile

- 2 False Fronts
- 2 Doors
- **Double Butt Doors

Sink Base Reverse



- SBR24
- *SBR24D

- SBR27
- SBR30
- SBR33
- SBR36
- SBR39
- SBR42
- SBR45
- SBR48
- **SBR48D

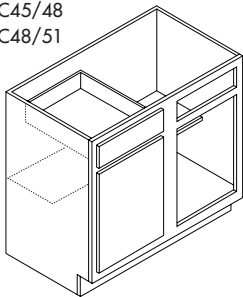
- 1 Door
- 1 Drawer
- * 2 Butt Doors—No Center Stile

- 2 Doors
- 2 Drawers
- **Double Butt Doors

Blind Corner Base Cab.

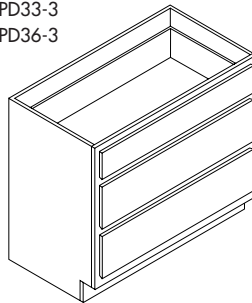
- BC36/39
- BC39/42
- BC42/45
- BC45/48
- BC48/51

See Install Example Above

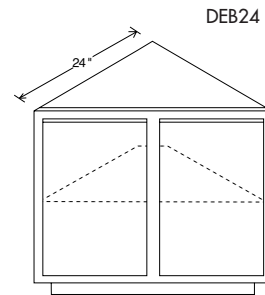


Pot & Pan Drawer Base

- PD30-3
- PD33-3
- PD36-3

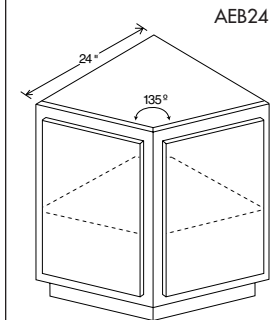


Diagonal End Base



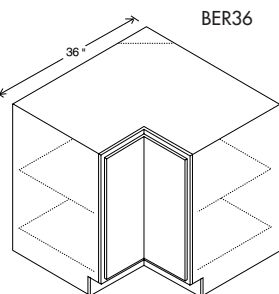
2 Doors

Angle End Base Cab.



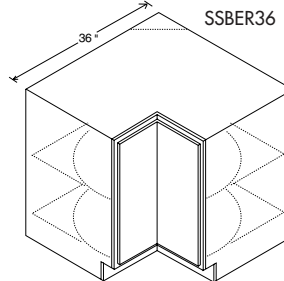
2 Doors

Base Easy Reach (BER)



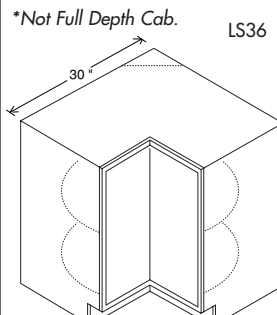
- 1 Bi-Part Door
- 1 Full Depth Shelf

Super Susan Corner BER



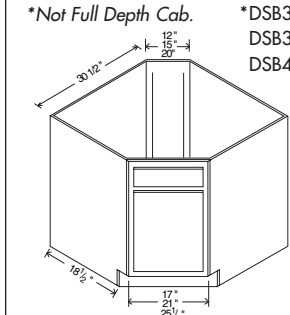
- 1 Bi-Part Door
- 1 Full Depth Shelf
- 2 Independent Revolving Shelves

Lazy Susan Base Cab.



- Revolving Door
- See Installation Next Page

Diag. Sink Base Cab.

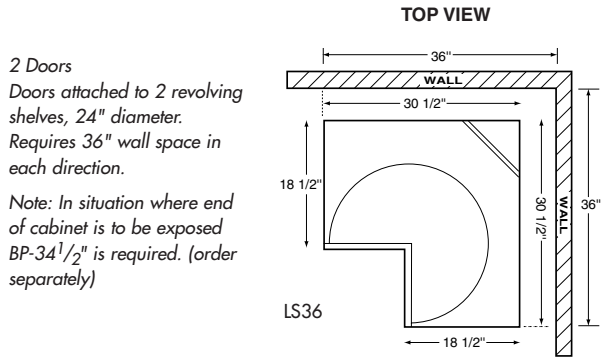


- 1 Door - 1 False Front
- See Lazy Susan Installation
- * Single Sink Bowl

• Sink Fronts
• Accessories

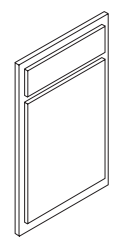
• Toe kick and floor not included with sink fronts.

INSTALLATION EXAMPLE - Lazy Susan Base Cabinet

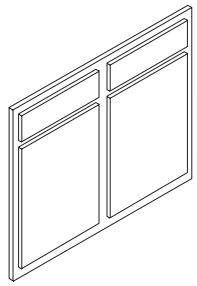


2 Doors
Doors attached to 2 revolving shelves, 24" diameter.
Requires 36" wall space in each direction.
Note: In situation where end of cabinet is to be exposed BP-34 1/2" is required. (order separately)

Sink Front Non-Trimmable



- SF12
- SF15
- SF18
- SF21
- SF24
- *SF24D



- SF27
- SF30
- SF33
- SF36
- SF39
- SF42
- SF45
- SF48
- **SF48D

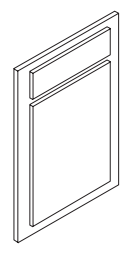
1 Frame
1 False Front
1 Door

1 Frame
2 False Fronts
2 Doors

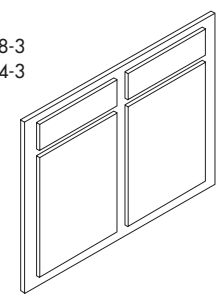
* 2 Butt Doors—No Center Stile

**Double Butt Doors

Sink Front Trimmable



- SF18-3
- SF24-3



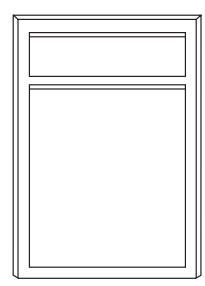
- SF30-3
- SF36-3
- SF42-3
- SF48-3

1 Frame
1 False Front
1 Door

1 Frame
2 False Fronts
2 Doors

Can Be Trimmed 1 1/2" Each Side

Diagonal Sink Front

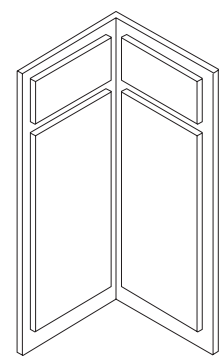


- DSF36
- DSF39
- DSF42

1 Frame
1 False Front
1 Door

Non-trimmable

Corner Sink Front

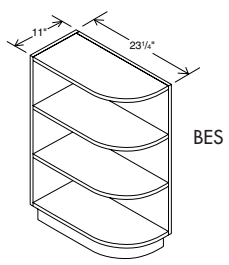


- CSF36 (12"x12")
- CSF39 (15"x15")
- CSF42 (18"x18")

2 Frames
2 False Fronts
2 Doors

Requires Field Installation

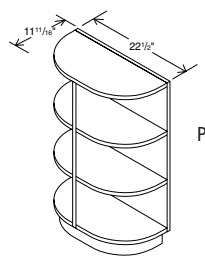
Base End Shelf



BES

Toe Assembly shipped loose
Radius 9 1/4"

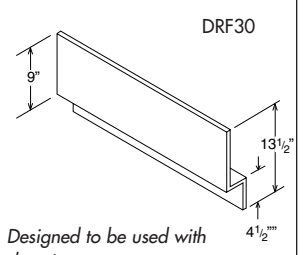
Peninsula End Shelf



PBES

Toe Assembly shipped loose
Radius 10 1/4"

Drop-In Range Front



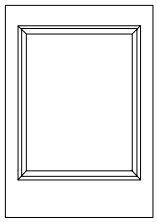
DRF30

Designed to be used with drop-in range.

• **Accessories (continued)**
 • **Miscellaneous**

NOTES:

Decorative Base Panel



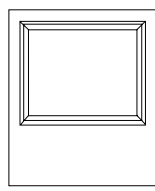
DBP34-1/2

$23\frac{1}{4}'' \times 34\frac{1}{2}'' \times 1\frac{1}{4}''$ veneer with $22'' \times 28''$ mounted door.

Not available in "L" and "E" series cabinets.

Square door styles only.

Decor. Dishwasher Front



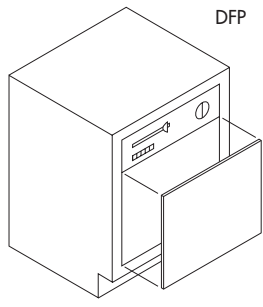
DDFP

$23\frac{3}{4}'' \times 26'' \times 1\frac{1}{4}''$ veneer.
 $22'' \times 16''$ Door mounted to look like cabinet front.

Not available in "L" and "E" Series Cabinets.

Square door styles only.

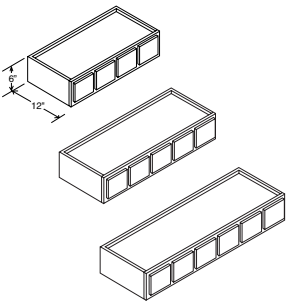
Dishwasher Front Panel



DFP

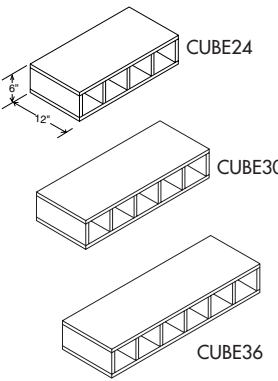
$23\frac{3}{4}'' \times 26'' \times 1\frac{1}{4}''$ veneer

Spice Drawers



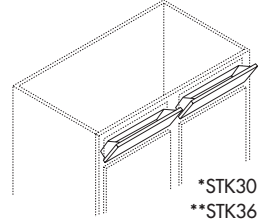
(Drawer fronts for all styles are square slab only)

Cube



CUBE24
CUBE30
CUBE36

Sink Tray Kit

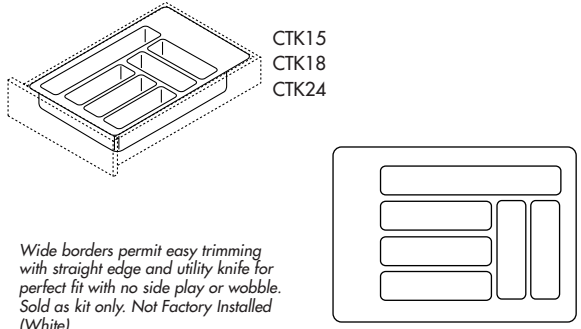


*STK30
**STK36

*Fits 30" Cabinet
**Fits 36" Cabinet

Kit includes 2 trays and hardware for installation. Designed to be installed behind false front of sink cabinet, sink front, vanity cabinet, or vanity sink front. Not Factory Installed.

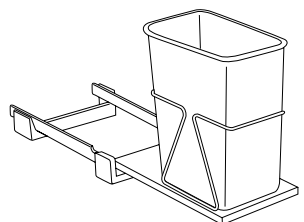
Cutlery Tray Kit



CTK15
CTK18
CTK24

Wide borders permit easy trimming with straight edge and utility knife for perfect fit with no side play or wobble. Sold as kit only. Not Factory Installed (White)

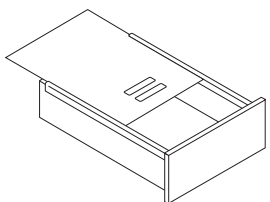
Slide Out Wastebasket Kit



SW15

Fits B18 Cabinet
Installation By Others

Bread Drawer Cover Kit



*BDC12/18
**BDC21/24

*Trimmable (by others) to fit in drawers for B12 to 18, D12 to 18
 **Trimmable (by others) to fit in drawers for B21 to 24, D21 to 24

• Standard Vanity Cabinets

NOTES:

- Most 24" and 48" wide cabinets available with 2 (butt) doors. Specify "VB24D" or "VB24x18D."
- Standard depth is 21" unless otherwise specified. Standard vanity height is 30". Toe kick is 4 1/2".
- Vanity base cabinets have a fixed center 1/2" x 10 1/4" depth shelf unless otherwise specified.
- Vanity sink cabinets do not have a center shelf.
- Reverse cabinets have a floor between cavity and drawers.
- VSFH cabinets: Top of door does not line up with standard cabinets.

Vanity Base Cabinet

VB12
 VB15
 VB18
 VB21
 VB24
 *VB24D

1 Drawer
 1 Door

VB27
 VB30
 VB33
 VB36
 VB39
 VB42
 VB45
 VB48
 **VB48D

2 Drawers
 2 Doors

* 2 Butt Doors—No Center Stile

**Double Butt Doors

Vanity Sink/Drawer Cabinet

SD24
 SD30
 SD36

VSD24
 VSD30
 VSD36
 *VSD36D

2 False Fronts
 2 Drawers
 1 Door

Specify Drawers Left or Right

* 2 Butt Doors—No Center Stile

Vanity Sink Base Cabinet

VSB36
 VSB39
 VSB42
 VSB45
 VSB48
 **VSB48D

1 Center False Front
 2 Drawers
 2 Doors

**Double Butt Doors

Vanity Sink FHD

VSFH18
 VSFH21
 VSFH24
 *VSFH24D

VSFH27
 VSFH30
 VSFH33
 VSFH36
 VSFH39
 VSFH42
 VSFH45
 VSFH48
 **VSFH48D

1 Full Height Door
 * 2 Butt Doors—No Center Stile

2 Full Height Doors
 **Double Butt Doors

Vanity Drawer Cabinet

VD12
 VD15
 VD18
 VD21
 VD24

3 Drawers

Vanity Sink Cabinet

VS18
 VS21
 VS24
 *VS24D

VS27
 VS30
 VS33
 VS36
 VS39
 VS42
 VS45
 VS48
 **VS48D

1 Door
 1 False Front

2 False Fronts
 2 Doors

* 2 Butt Doors—No Center Stile

**Double Butt Doors

Vanity Sink Reverse

VSR18
 VSR21
 VSR24
 *VSR24D

VSR27
 VSR30
 VSR33
 VSR36
 VSR39
 VSR42
 VSR45
 VSR48
 **VSR48D

1 Door
 1 Drawer

2 Doors
 2 Drawers

* 2 Butt Doors—No Center Stile

**Double Butt Doors

• 18" Deep Vanity Cabinets

NOTES:

- Most 24" and 48" wide cabinets available with 2 (butt) doors.
Specify "VB24D" or "VB24x18D."
- Vanity base cabinets have a fixed center 1/2" x 10 1/4" depth shelf unless otherwise specified.
- Vanity sink cabinets do not have a center shelf.
- Vanity height is 30". Toe kick is 4 1/2".
- Standard vanity depth is 21" unless otherwise specified as shown.
- Reverse cabinets have a floor between cavity and drawers.
- VSFH cabinets: Top of door does not line up with standard cabinets.

Vanity Base Cabinet 18" Deep

VB12X18
VB15X18
VB18X18
VB21X18
VB24X18
*VB24DX18

1 Drawer
1 Door

* 2 Butt Doors—No Center Stile

VB27X18
VB30X18
VB33X18
VB36X18
VB39X18
VB42X18
VB45X18
VB48X18
**VB48DX18

2 Drawers
2 Doors

**Double Butt Doors

Vanity Sink/Drawer Cabinet 18" Deep

VSD24X18
VSD30X18
VSD36X18
*VSD36DX18

2 False Fronts
2 Drawers
1 Door

* 2 Butt Doors—No Center Stile

Specify Drawers Left or Right

Vanity Sink Base Cabinet 18" Deep

VSB36X18
VSB39X18
VSB42X18
VSB45X18
VSB48X18
**VSB48DX18

1 Center False Front
2 Drawers
2 Doors

** Double Butt Doors

Vanity Sink FHD 18" Deep

VSFH18X18
VSFH21X18
VSFH24X18
*VSFH24DX18

VSFH27X18
VSFH30X18
VSFH33X18
VSFH36X18
VSFH39X18
VSFH42X18
VSFH45X18
VSFH48X18
**VSFH48DX18

1 Full Height Door
2 Full Height Doors

* 2 Butt Doors—No Center Stile **Double Butt Doors

Vanity Drawer Cabinet 18" Deep

VD12X18
VD15X18
VD18X18
VD21X18
VD24X18

3 Drawers

Vanity Sink Cabinet 18" Deep

VS18X18
VS21X18
VS24X18
*VS24DX18

VS27X18
VS30X18
VS33X18
VS36X18
VS39X18
VS42X18
VS45X18
VS48X18
**VS48DX18

1 Door
1 False Front

2 Doors
2 False Fronts

* 2 Butt Doors—No Center Stile **Double Butt Doors

Vanity Sink Reverse 18" Deep

VSR18X18
VSR21X18
VSR24X18
*VSR24DX18

VSR27X18
VSR30X18
VSR33X18
VSR36X18
VSR39X18
VSR42X18
VSR45X18
VSR48X18
**VSR48DX18

1 Door
1 Drawer

2 Doors
2 Drawers

* 2 Butt Doors—No Center Stile **Double Butt Doors

•Specialties
•Accessories

NOTES:

- Most 24" and 48" wide cabinets available with 2 (butt) doors. Specify "VB24D" or "VB24x18D."
- Standard depth is 21" unless otherwise specified. Standard vanity height is 30". Toe kick is 4 1/2".
- Vanity base cabinets have a fixed center 1/2" x 10 1/4" depth shelf unless otherwise specified.
- Vanity sink cabinets do not have a center shelf.
- Toe kick and floor not included with sink fronts.

Vanity Apron Drawer

VAD24-3
VAD27-3

VAD30-3
VAD33-3
VAD36-3

1 Drawer

2 Drawers

All are trimmable.

Vanity File Drawer

VFD18

Lower drawer fully extendable.
Hanging file rails included.
Installation by others.

Vanity Pencil Drawer

VPD27-3

4 3/4"

1 Drawer

Trimmable

36" H Vanity Storage Cabinet

VSC2436D

8"

24"

1 Shelf

2 butt doors only.

Vanity Sink Front Non-Trimmable

VSF12
VSF15
VSF18
VSF21
VSF24
* VSF24D

VSF27
VSF30
VSF33
VSF36
VSF39
VSF42
VSF45
VSF48
**VSF48D

1 Frame
1 False Front
1 Door

1 Frame
2 False Fronts
2 Doors

* 2 Butt Doors—No Center Stile

**Double Butt Doors

Vanity Sink Front Trimmable

VSF18-3
VSF24-3

VSF30-3
VSF36-3
VSF42-3
VSF48-3

1 Frame
1 False Front
1 Door

1 Frame
2 False Fronts
2 Doors

Trimmable 1 1/2" Each Side.

Vanity Leg Panel

VLP30

21"

30"

7"

7"

Trimmable

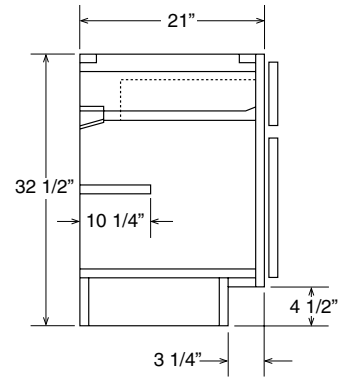
For Cierra "L" and "E" series cabinets: Panel is made from 5/8" door material

All others are made from 3/4" hardwood and stained to match

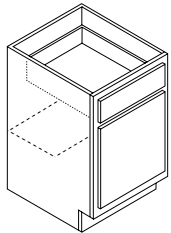
•H Vanity Cabinets

- Most 24" and 48" wide cabinets available with 2 (butt) doors.
- Standard depth is 21" unless otherwise specified. Toe kick is 4 1/2".
- Most standard vanities available 18" deep. Specify "HVB15x18."
- H Vanity base cabinets have a fixed center 1/2" x 10 1/4" depth shelf unless otherwise specified.
- H Vanity sink cabinets do not have a center shelf.

CABINET DIMENSIONS



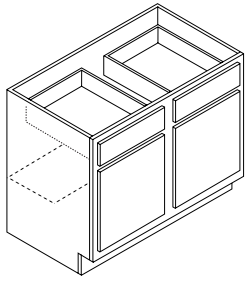
H Vanity Base Cabinet 4.5" Toe Kick @ 32.5" H



HVB12
HVB15
HVB18
HVB21
HVB24
*HVB24D

1 Drawer
1 Door

* 2 Butt Doors—No Center Stile

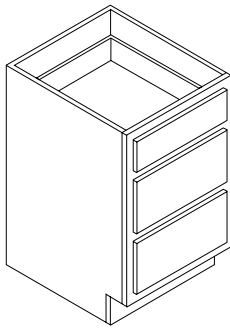


HVB27
HVB30
HVB33
HVB36
HVB39
HVB42
HVB45
HVB48
**HVB48D

2 Drawers
2 Doors

**Double Butt Doors

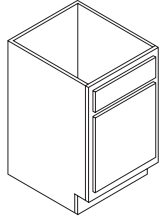
H Vanity Drawer Base 4.5" Toe Kick @ 32.5" H



HVD12
HVD15
HVD18
HVD21
HVD24

3 Drawers

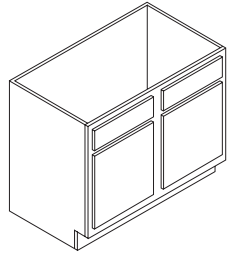
H Vanity Sink Cabinet 4.5" Toe Kick @ 32.5" H



HVS18
HVS21
HVS24
*HVS24D

1 Door
1 False Front

* 2 Butt Doors—No Center Stile

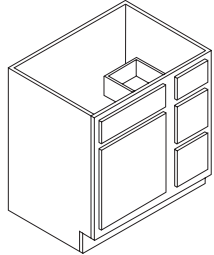


HVS27
HVS30
HVS33
HVS36
HVS39
HVS42
HVS45
HVS48
**HVS48D

2 Doors
2 False Fronts

**Double Butt Doors

H Vanity Sink/Drawer Cabinet 4.5" Toe Kick @ 32.5" H



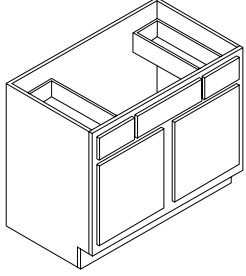
HVSD24
HVSD30
HVSD36
*HVSD36D

2 False Fronts
2 Drawers
1 Door

Specify Drawers Left or Right

* 2 Butt Doors—No Center Stile

H Vanity Sink Base Cabinet 4.5" Toe Kick @ 32.5" H

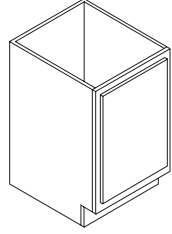


HVSB36
HVSB39
HVSB42
HVSB45
HVSB48
**HVSB48D

1 Center False Front
2 Drawers
2 Doors

**Double Butt Doors

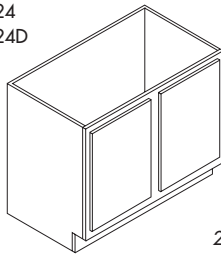
H Vanity Sink FHD 4.5" Toe Kick @ 32.5" H



HVSFH18
HVSFH21
HVSFH24
*HVSFH24D

1 Full Height Door

* 2 Butt Doors—No Center Stile



HVSFH27
HVSFH30
HVSFH33
HVSFH36
HVSFH39
HVSFH42
HVSFH45
HVSFH48
**HVSFH48D

2 Full Height Doors

**Double Butt Doors

•H Vanity Cabinets (cont.)

NOTES:

- Most 24" and 48" wide cabinets available with 2 (butt) doors.
- Standard depth is 21" unless otherwise specified. Toe kick is 4 1/2".
- Most standard vanities available 18" deep. Specify "HVB15x18".
- H Vanity base cabinets have a fixed center 1/2" x 10 1/4" depth shelf unless otherwise specified.
- H Vanity sink cabinets do not have a center shelf.
- Reverse cabinets have a floor between cavity and drawers.

H Vanity Sink Reverse 4.5" TK @ 32.5" H (21" D)

HVSR18
 HVSR21
 HVSR24
 * HVSR24D

HVSR27
 HVSR30
 HVSR33
 HVSR36
 HVSR39
 HVSR42
 HVSR45
 HVSR48
 **HVSR48D

1 Drawer
 1 Door

2 Drawers
 2 Doors

* 2 Butt Doors—No Center Stile **Double Butt Doors

H Vanity Base Cabinet 18" Deep

HVB12X18
 HVB15X18
 HVB18X18
 HVB21X18
 HVB24X18
 *HVB24DX18

HVB27X18
 HVB30X18
 HVB33X18
 HVB36X18
 HVB39X18
 HVB42X18
 HVB45X18
 HVB48X18
 **HVB48DX18

1 Drawer
 1 Door

2 Drawers
 2 Doors

* 2 Butt Doors—No Center Stile **Double Butt Doors

H Vanity Drawer Base 18" Deep

HVD12X18
 HVD15X18
 HVD18X18
 HVD21X18
 HVD24X18

3 Drawers

H Vanity Sink Cabinet 18" Deep

HVS18X18
 HVS21X18
 HVS24X18
 * HVS24DX18

HVS27X18
 HVS30X18
 HVS33X18
 HVS36X18
 HVS39X18
 HVS42X18
 HVS45X18
 HVS48X18
 **HVS48DX18

1 Door
 1 False Front

2 Doors
 2 False Fronts

* 2 Butt Doors—No Center Stile **Double Butt Doors

H Vanity Sink/ Drawer Cabinet 18" Deep

HVSD24X18
 HVSD30X18
 HVSD36X18
 * HVSD36DX18

2 False Fronts
 2 Drawers
 1 Door

Specify drawers left or right.

* 2 Butt Doors—No Center Stile

H Vanity Sink Base Cabinet 18" Deep

HVSB36X18
 HVSB39X18
 HVSB42X18
 HVSB45X18
 HVSB48X18
 **HVSB48DX18

1 Center False Front
 2 Drawers
 2 Doors

** Double Butt Doors

• H Vanity Cabinets (cont.) • H Vanity Sink Fronts

NOTES:

- Most 24" and 48" wide cabinets available with 2 (butt) doors.
- Standard depth is 21" unless otherwise specified. Toe kick is 4 1/2".
- Most standard vanities available 18" deep. Specify "HVB15x18".
- H Vanity base cabinets have a fixed center 1/2" x 10 1/4" depth shelf unless otherwise specified.
- H Vanity sink cabinets do not have a center shelf.
- Toe kick and floor not included with sink fronts.
- Reverse cabinets have a floor between cavity and drawers.

H Vanity Sink FHD 18" Deep

1 Full Height Door
 * 2 Butt Doors—No Center Stile
 HVSFH18X18
 HVSFH21X18
 HVSFH24X18
 * HVSFH24DX18

2 Full Height Doors
 **Double Butt Doors
 HVSFH27X18
 HVSFH30X18
 HVSFH33X18
 HVSFH36X18
 HVSFH39X18
 HVSFH42X18
 HVSFH45X18
 HVSFH48X18
 ** HVSFH48DX18

H Vanity Sink Reverse 18" Deep

**1 Door
1 Drawer**
 * 2 Butt Doors—No Center Stile
 HVSR18X18
 HVSR21X18
 HVSR24X18
 * HVSR24DX18

**2 Doors
2 Drawers**
 **Double Butt Doors
 HVSR27X18
 HVSR30X18
 HVSR33X18
 HVSR36X18
 HVSR39X18
 HVSR42X18
 HVSR45X18
 HVSR48X18
 ** HVSR48DX18

H Vanity Sink Front Non-Trimable

**1 Frame
1 False Front
1 Door**
 * 2 Butt Doors—No Center Stile
 HVSF12
 HVSF15
 HVSF18
 HVSF21
 HVSF24
 * HVSF24D

**1 Frame
2 False Fronts
2 Doors**
 **Double Butt Doors
 HVSF27
 HVSF30
 HVSF33
 HVSF36
 HVSF39
 HVSF42
 HVSF45
 HVSF48
 ** HVSF48D

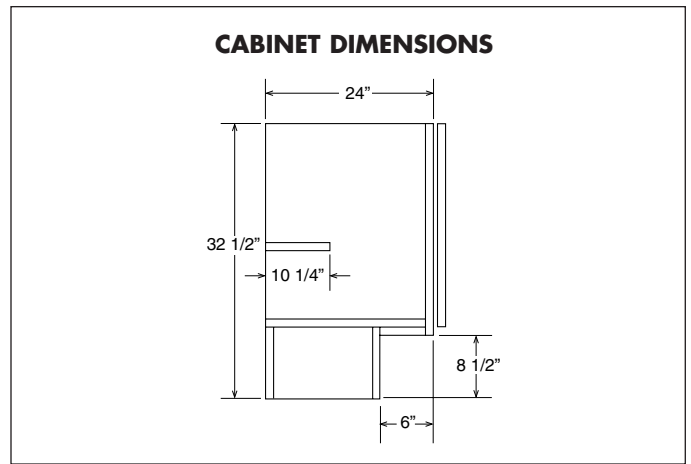
H Vanity Sink Front Trimmable

**1 Frame
1 False Front
1 Door**
 Trimmable 1 1/2" Each Side.
 HVSF18-3
 HVSF24-3

**1 Frame
2 False Fronts
2 Doors**
 HVSF30-3
 HVSF36-3
 HVSF42-3
 HVSF48-3

• Handicap Cabinets

- Depth is 24". Height is 32 1/2".
- Toe kick is 8 1/2" high and 6" deep.
- HC base has a center 1/2" x 10 1/4" deep fixed shelf.
- HC sink base cabinets do not have a center shelf.
- All HC cabinets have full height doors.



HC Base Cabinet 8.5TK/FHD

1 Door

* 2 Butt Doors—No Center Stile

2 Doors

**Double Butt Doors

HCB12
HCB15
HCB18
HCB21
HCB24
*HCB24D

HCB27
HCB30
HCB33
HCB36
HCB39
HCB42
HCB45
HCB48
**HCB48D

HC Drawer Base 8.5TK

3 Drawers

HCD12
HCD15
HCD18
HCD21
HCD24

HC Sink Base Cabinet 8.5TK/FHD

1 Door

* 2 Butt Doors—No Center Stile

2 Doors

**Double Butt Doors

HCSB24
*HCSB24D

HCSB27
HCSB30
HCSB33
HCSB36
HCSB39
HCSB42
HCSB45
HCSB48
**HCSB48D

Handicap Utility Cabinet

2 Butt Doors
4 Shelves

HCUB3060D

• **Accessories-General**

NOTES:

Base End Shelf

BES

Toe Assembly shipped loose
Radius 9 1/4"

Peninsula End Shelf

PBES

Toe Assembly shipped loose
Radius 10 1/4"

Drop-In Range Front

DRF30

Designed to be used with drop-in range.

Vanity Leg Panel

VLP30

Trimnable

For Cierra "L" and "E" series cabinets: Panel is made from 5/8" door material

All others are made from 3/4" hardwood and stained to match

Sink Tray Kit

*STK30
**STK36

*Fits 30" Cabinet
**Fits 36" Cabinet

Kit includes 2 trays and hardware for installation. Designed to be installed behind false front of sink cabinet, sink front, vanity cabinet, or vanity sink front. Not Factory Installed.

Wall Appliance Garage/Straight

WAG24
WAG30

Fits Under W2430 or W3030. Assembly Required.

Diagonal Wall Appliance Garage

DAG24

Fits Under DW2430. Assembly Required.

Wall End Shelf 30" H

30" High
WES30
WES36
WES42

Radius 4 5/8"

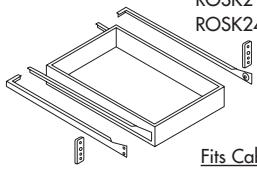
• **Accessories-General**
 • **Utility Pantry Kits**

NOTES:

Roll-Out Shelf Kit

Not Factory Installed

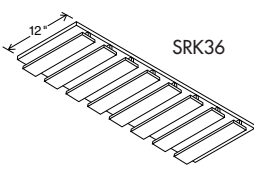
ROSK12
 ROSK15
 ROSK18
 ROSK21
 ROSK24



Fits Cabinet
 B12
 B15
 B18
 B21
 B24

1-Roll Out Shelf
 1-Complete Pair of Epoxy Coated Slides
 2-Spacers

Stemware Rack Kit



SRK36

Cutlery Tray Kit

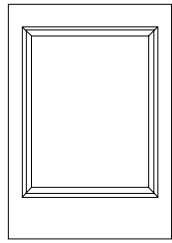


CTK15
 CTK18
 CTK24

Wide borders permit easy trimming with straight edge and utility knife for perfect fit with no side play or wobble. Sold as kit only. Not Factory Installed (White)



Decorative Base Panel



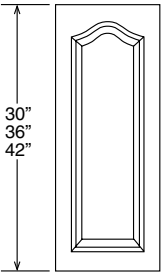
DBP34-1/2

23 1/4" x 34 1/2" x 1/4" veneer with 22" x 28" mounted door.

Not available in "L" and "E" series cabinets.

Square door styles only.

Decorative Wall Panel



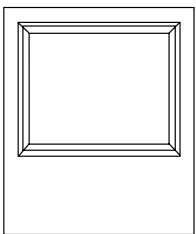
CATHEDRAL & SQUARE DOOR STYLES

DWP30
 DWP36
 DWP42

1 1/4" x 30"-36"-42" x 1/4" Veneer
 With 10" x 28"-34"-40" Mounted Door

Not Available in "L" or "E" Series Cabinets.

Decor. Dishwasher Front



DDFP

23 3/4" x 26" x 1/4" veneer.
 22" x 16" Door mounted to look like cabinet front.

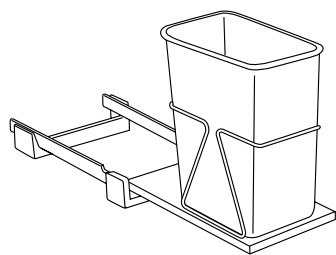
Not available in "L" and "E" Series Cabinets.

Square door styles only.

• **Accessories-General**
 • **Valances**

NOTES:

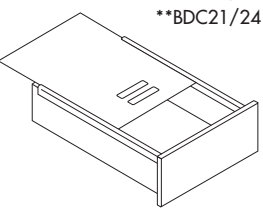
Slide Out Wastebasket Kit



SW15

Fits B18 Cabinet. Installation By Others

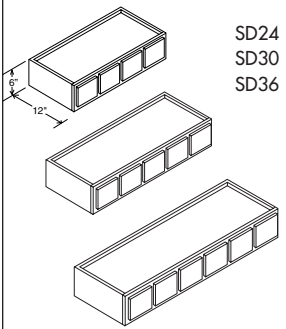
Bread Drawer Cover Kit



*BDC12/18
 **BDC21/24

**Trimmable (by others) to fit in drawers for B12 to 18, D12 to 18
 **Trimmable (by others) to fit in drawers for B21 to 24, D21 to 24*

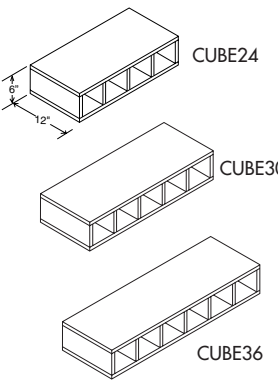
Spice Drawers



SD24
 SD30
 SD36

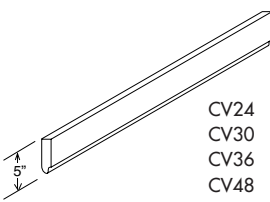
(Drawer fronts for all styles are square slab only)

Cube



CUBE24
 CUBE30
 CUBE36

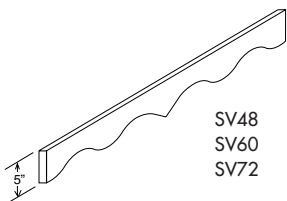
Wall Contemp. Valance



CV24
 CV30
 CV36
 CV48
 CV60
 CV72

$3/4" \times 5" \times \text{List}$

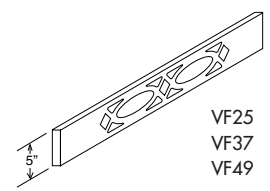
Wall Scalloped Valance



SV48
 SV60
 SV72

$3/4" \times 5" \times \text{List}$

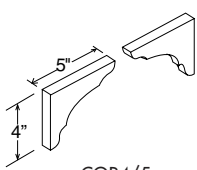
Valance Frieze



VF25
 VF37
 VF49

- $3/4" \times 5" \times \text{List}$
- Back side of Valance relieved behind pattern to accept accent panel (not included)

Corbels



COR4/5

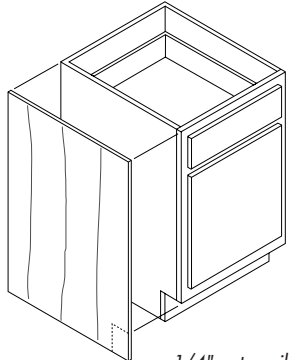
- $3/4" \times 4" \times 5"$
- Rabbet on edges for easy installation.
- Pairs Only

• **Base Panels**
 • **Finished Back Panels**

NOTES:

- Panels: 1/8" and 3/8" are laminated paper
 1/4" is stained wood veneer (not available in white)

Base Panel



BP34-1/8
BP34-1/4

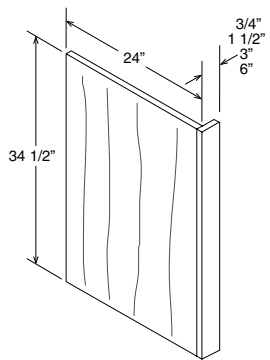
Used to conceal exposed end on base, lazy susan and vanity cabinets.

Invertible for left-or-right-hand use; toe kick must be cut out to fit base cabinet. 23-1/4" x 34-1/2" base end panel.

Available in 1/4" oak veneer or 1/8" laminated panel (specify).

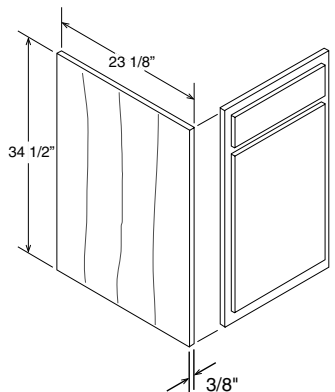
1/4" not available in white.

Base End Panel



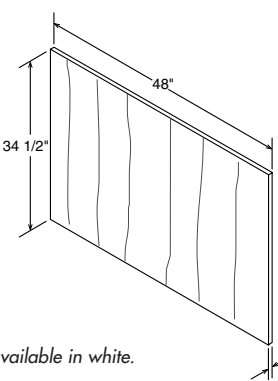
BEP3/4
BEP1-1/2
BEP3
BEP6
DWEP3/4

Sink Front Side Panel



SFP

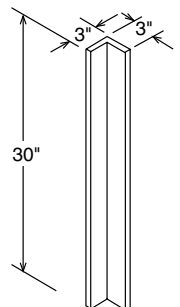
Finished Back Panel X 34 1/2" High



FBP48X34-1/8
FBP48X34-3/8
FBP48X34-1/4

1/4" not available in white.

Base Corner Filler



BCF3X3

- Utility Panels
- Finished Back Panels 96"H
- Wall Panels

NOTES:

Utility Panel

UP84-1/4
UP90-1/4
UP96-1/4

UP84-1/8
UP90-1/8
UP96-1/8

1/4" not available in white.

Refrigerator End Panel

RFEP1-1/2"
RFEP1-1/2"X90
RFEP1-1/2"X96

Finish Back Panel x 96"H

FBP48X96-1/8
FBP48X96-3/8
FBP48X96-1/4

1/4" not available in white.

Wall Panels

WP30-1/4
WP36-1/4
WP42-1/4

WP30-1/8
WP36-1/8
WP42-1/8

1/4" not available in white.

Sink Front Floor

SFF24
SFF30
SFF36
SFF42
SFF48
SFF96
SFF48X48

Wall Panels for DW27

WP30X15-1/4
WP36X15-1/4
WP42X15-1/4

WP30X15-1/8
WP36X15-1/8
WP42X15-1/8

1/4" not available in white

- Toe Kicks
- Dishwasher Front Panel
- Fillers
- Miscellaneous Accessories

Handicap Toe Kick

TK96X8-1/2-BK
TK96X8-1/2-WG
TK96X8-1/2-WV
*TK96X8-1/2-1/4"

$1/8" \times 8\frac{1}{2}" \times 96"$

* Wood Veneer 1/4" not available in white.

Sink Front Toe Kick

SFTK24
SFTK30
SFTK36
SFTK42
SFTK48
SFTK96

$5/8" \times 5\frac{1}{2}" \times \text{List}$

Toe Kick

TK96-BK
TK96-WG
TK96-WV
*TK96-1/4"

$1/8" \times 4\frac{1}{2}" \times 96"$

* Wood Veneer 1/4" not available in white.

Dishwasher Front Panel

DFP

$23\frac{3}{4}" \times 26" \times 1/4"$ wood veneer

Base/Wall Filler

BWF3
BWF3X36
BWF3X42
BWF6
BWF6X36
BWF6X42

Fluted Fillers

FF3
FF3X42
FF6
FF6X42

Fluted Tall Fillers

FF3X96
FF6X96

Utility Filler

UF3X96
UF6X96

Fluted Trans. Filler

FFT3X30
FFT3X42

Fluted Tall Trans. Filler

FFT3X96

Miscellaneous Accessories

Decorative Hinge Pair	DHG
Decorative Hinge Door Silencers	DS-D
Concealed Hinge 1/2" OL (PR)	CH-1/2
Concealed Hinge Double Door (PR)	DD-CH
Concealed Hinge (BER)	CHBER
Concealed Hinge 1 1/4" OL (Lexus & Legacy) (PR)	CH-1-1/4
Concealed Hinge Door Silencers	DS-C
Shelving (10 1/4" x 96" x 1/2")	SH96
Shelf Clips 1/2" (1/4" drill hole)	SC-1/2
Drawer Slide w/Cabinet Rails Kitchen Depth	DSKD
Drawer Slide w/Cabinet Rails Vanity Depth	DSVD
Drawer Slide w/Cabinet Rails 18" Depth	DSX18
Quart of Stain (not available in white)	STQ
Jar of Putty	PJ
Touchup Marker or Crayon (specify)	TUP-C or -M
Clear Spray Lacquer	SPL
White Spray Lacquer	WLAC

• **Miscellaneous Accessories**
 • **Mouldings**

NOTES:

Wall Cab. Corner Floor

WCCF15

15" 15" 3/8"

Rosette Cap

CAP3
CAP6

3" or 6" 3" or 6" 1 3/16" Thickness

Rosette Cap Transition

CAPT3

4 1/4" 1 3/16" Thickness

Batten Moulding

BM96

1/4" x 3/4" x 8'

Crown Moulding

CM96

3/4" x 2 1/4" x 8'

Chair Rail Base Mould.

CRBM96

3/4" x 4 3/4" x 8'

Ctr Top Wd Edge Mould.

CTM96

3/4" x 1 1/2" x 8'

Large Crown Moulding

LCM96

3/4" x 6 5/8" x 8'

Dentil Moulding

DM96

1/2" x 3/4" x 8'

Galley Rail

GR96

2 3/8" 5/8" Spindles on 4" center 8' length.

Inside Corner Moulding

ICM96

3/4" x 3/4" x 8'

•Mouldings (continued)

NOTES:

Medium Crown Mould.

MCM96

$3/4" \times 4 \ 5/8" \times 8'$

Outside Corner Mould.

OCM96

$1/4" \times 3/4" \times 8'$

Quarter Round Mould.

QRM96

$3/4" \times 3/4" \times 8'$

Rope Moulding

RM96

$5/16" \times 3/4" \times 8'$

Scribe Moulding

SM96

$1/4" \times 3/4" \times 8'$

Victorian Crown Mould.

VCM96

Accepts RM and DM.

$3/4" \times 3 \ 5/16" \times 8'$



17151 Morse Street • P.O. Box 342 • Lowell, Indiana 46356

Tel: 219.696.2800 • Fax: 219.696.2232

www.sacoindustries.com

